

Select XLS LED

Smart infrared panel heaters with LED lighting



- EN **INSTALLATION & OPERATING INSTRUCTIONS**
- FR **INSTRUCTIONS D'INSTALLATION ET D'UTILISATION**
- DE **INSTALLATIONS- & BEDIENUNGSANLEITUNG**
- NL **INSTALLATIE- EN BEDIENINGSINSTRUCTIES**
- IT **ISTRUZIONI PER L'INSTALLAZIONE E L'USO**
- ES **INSTRUCCIONES DE INSTALACIÓN Y FUNCIONAMIENTO**

MODELS COVERED BY THIS MANUAL:

Select XLS LED
XLS400LED
XLS600LED
XLS400WLF
XLS600WLF

The product complies with European Safety Standards Low Voltage Directive 2014/35/EC, EMC Directive 2014/30/EC, RoHS 2011/65/EC & Ecodesign requirements for local space heaters 2024/1103/EC. Original instructions covering Select XLS models produced from 11/2025 onwards



Serial Number:

IMPORTANT SAFETY PRECAUTIONS

Failure to observe these instructions will invalidate the warranty.
Do not disassemble. No user-serviceable parts inside.



WARNING

TO REDUCE THE RISK OF FIRE, ELECTRIC SHOCK OR INJURY

This appliance must be disconnected from its power source during installation or service activities and when replacing.

The Select XLS LED heater is equipped with a receiver (located on the rear of the panel), which must be paired to a Herschel SmartLED controller (sold separately) to control the room temperature and the lighting in the heater. These Heaters will only work with a SmartLED controller.

DO NOT use for room heating when rooms are occupied by people incapable of leaving the room on their own, unless constant supervision is provided. Herschel is not responsible for any breach of EcoDesign or Safety legislation where the heaters are used in an enclosed space without access to a Herschel SmartLED controller.

The Select XLS LED heater has internal safety thermal cut out sensors. However, in order to avoid overheating and potential fire hazard, **DO NOT** cover the heater under any circumstances. **DO NOT** locate the heater within 0.3m of any flammable materials (eg. Furniture, curtains).

DO NOT touch the heater when in use. Herschel panel heaters have a surface temperature of around 95°C / 248°F (depending upon input voltage) and prolonged contact with the heater will cause burns and injury.

DO NOT operate the heater if the cord is damaged or after the heater malfunctions, or if it has been dropped or damaged in any manner. Check each heater for damage before installation. Make sure that the heater itself, the plug (if applicable) and the cable are free of any visible signs of damage. If the cord is damaged the appliance must be sent for repair to an authorised Herschel Dealer.

This heater must only be used for the heating of people or buildings. The heater is not to be used by children or persons with reduced physical, sensory or mental capabilities, or lack of experience or knowledge. Children should be kept away and should not be left unsupervised around the unit. **DO NOT** use outdoors.

All operators should only switch on/off the appliance provided that it has been placed or installed in its intended operating position in accordance with these instructions. Children must not plug in, switch on or regulate the appliance or perform user maintenance including cleaning.

Herschel panels are designed for use with an AC voltage between 220-240 volts, 50 Hz AC. If your supply voltage exceeds 240 Volts do not use the heater and refer to your local dealer. Failure to adhere to this will void the warranty.

The heater must be mounted on a non-flammable surface.

WATER INGRESS PROTECTION IP44

Herschel Select XLS LED heater panels are rated to a standard (minimum IP44) enabling them to be located within zone 2 in a bathroom. This means they can be placed above a sink or outside any splash zones, or they can be installed on the ceiling. They cannot be installed in zones 0 or 1.

However, installation in potentially wet or humid rooms such as bathrooms must be carried out by a suitably qualified installer and comply with local electrical safety requirements. Installation must be such that the heater must not be able to become detached from the fittings and fall into a bathtub, shower, swimming pool or other water container and that switches and other controls cannot be touched by a person in the bath or shower.

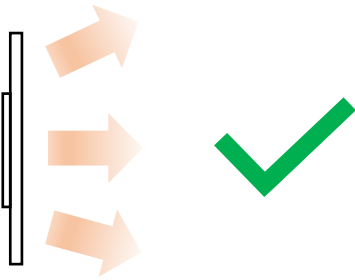
If in doubt, do not install. Herschel Infrared Ltd shall not be liable for any loss, damage or injury caused or resulting from inadequate fitting or incorrect placement of heaters close to water sources.

ENGLISH

Thankyou for purchasing a Herschel Select XLS LED infrared heater. Incorporating the very latest in control with Herschel's SmartLED control system, easy mounting system and slimline frameless design, you will enjoy many years of low energy, smart and comfortable heating.

We've tried to make installing and using your heater as easy as possible. Please read these instructions fully and retain for future reference. If you have any questions our website also has many FAQs or you can call, message or online chat with us, we are always happy to help ensure that you get the most from your new Herschel heating system.

Positioning



This is an infrared panel heater. It heats by transferring energy directly from the heater into the room and its contents. Place the heater where it will not be immediately obstructed by objects like furniture or where it cannot effectively radiate out, such as at the edge or in the corners of a room. Large objects placed in front of the heater will heat up and can prevent effective heat dispersion into the room. If you can, avoid placing the heater opposite windows, open doorways or behind furniture.

Mounting the panel on the ceiling will generally give the best heat dispersion in the room and keeps wall spaces free.



Depending upon the size of the heater, You are likely to be able to feel the gentle warmth from the heater up to around 3m away but it will continue to radiate heat out beyond this. When choosing a mounting position consider whether you wish to directly feel the heat (e.g. above a sofa) or not. The closer you are to the heater, the greater the intensity of the heat you will feel. This is usually down to personal preference.

The infrared heat will disperse in the same way as light from an LED panel light. If you are installing multiple panels in one room try to imagine each panel being a light and consider how light would "illuminate" the room – your heaters will heat the room in a similar way.

CAUTION when positioning:

Keep the heater at least 200mm clear of corners of walls and ceilings or from other objects on walls or ceilings.

Keep the heater at least 400mm away from a neighbouring heater.

Heaters may be recessed into a ceiling but MUST have at least an 800mm clearance in any direction from a neighbouring heater. Additionally all plasterboard or other structures forming the recess structure MUST be 200mm clear of all sides of the heater.

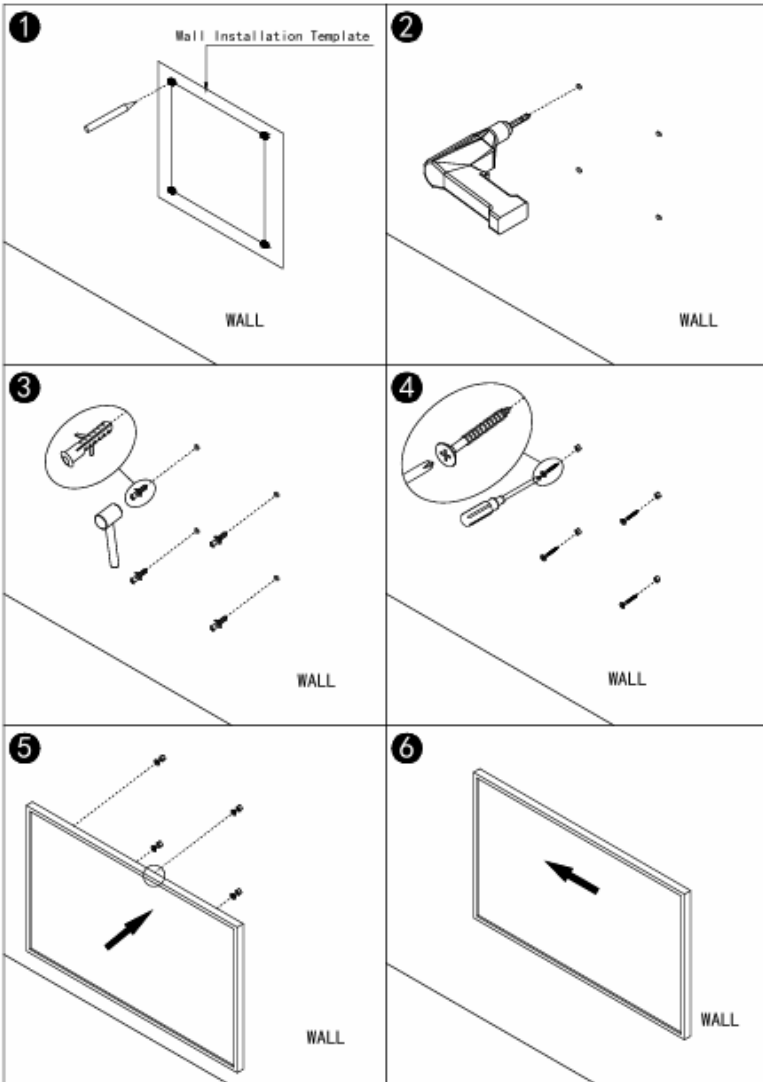
Failure to observe any of the above clearances will cause excess heat to build up behind the heater and will void the warranty.

ENGLISH

Fixed Wall mounting – professional installation required

The Select XLS LED heater does not come with a plug and is intended for permanent connection to the fixed wiring of the building via a fused spur no closer than 200mm to the heater. The heater **MUST NOT** be mounted immediately below its electrical connections. The heater can be mounted in either landscape or portrait position with the receiver on the lowermost edge. Be careful when drilling holes for the mounting system to be clear of electric cables.

The supplied rawlplugs are designed for use with a hard mounting surface. If mounted onto plasterboard or other surface, appropriate fixings for the mounting surface and panel weight must be purchased.



Step 1: Use the supplied template to mark the position of the mounting screws on the wall.

Step 2: Drill the holes using an 8mm bit.

Step 3: Insert the supplied rawlplugs

Step 4: Screw the supplied screws into the rawlplugs, leaving the head and approximately 2mm of shank clear (to allow the heater to be mounted onto them).

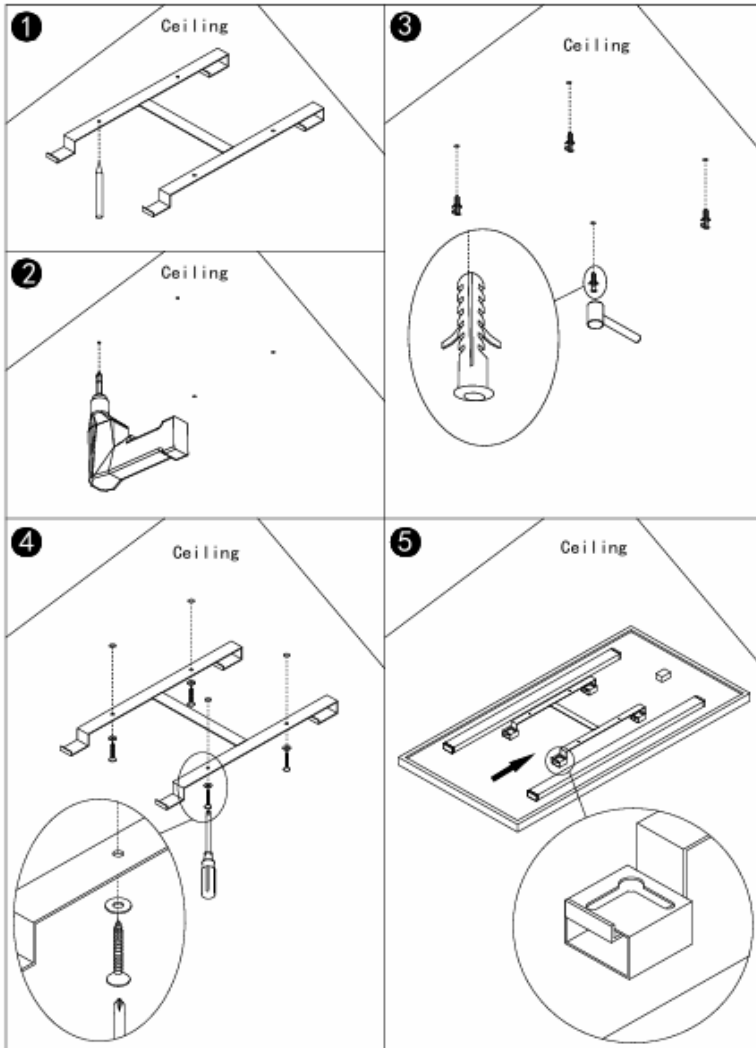
Step 5: Locate the rear brackets onto the exposed screw heads.

Step 6: Slide the heater left or right until it is secured.

Ceiling mounting. Professional installation required

The Select XLS LED heater does not come with a plug and is intended for permanent connection to the fixed wiring of the building. Electrical connections may be made within the plasterboard void in the ceiling but outside the heater footprint. The heater **MUST NOT** be mounted immediately below its electrical connections. Be careful when drilling holes for the mounting system to be clear of electric cables.

The supplied rawlplugs are designed for use with a hard mounting surface. If mounted onto plasterboard or other surface, appropriate fixings for the mounting surface and panel weight must be purchased.



Step 1: Use the 'H' shape bracket supplied to mark the position of the mounting screws on the ceiling.

Step 2: Drill the holes using an 8mm bit.

Step 3: Insert the supplied rawlplugs

Step 4: Screw the supplied screws through the 'H' shape bracket into the rawlplugs and secure to the ceiling.

Step 5: Slide the rear brackets of the heater onto the H shape bracket and ensure it is secured and cannot move.

Installation precautions** WARNING**

Wiring to this appliance must be connected in accordance with the relevant national electrical safety standards. It is a Class 1 appliance and must be earthed.

When placed in public areas, installation must comply with relevant local electrical standards. For certain public buildings like schools and care homes the heaters must be installed according to the specific legislation for these types of buildings.

The electrical supply to each heater should be provided by connecting to a circuit protected by a fuse or residual current device (RCD) or Ground Fault circuit interrupter (GFCI) suitable for the electrical rating of the appliance.

Colour coding used in the supplied mains cable: BROWN wire is to be connected to LIVE ('L'), the BLUE wire to NEUTRAL ('N') and the GREEN/YELLOW wire to EARTH ('E').

 CAUTION

Ensure mains power is OFF before commencing an installation involving fixed wiring. Any fixed wiring outside the heater coming into contact or close proximity to the heater must be protected by sleeving with a temperature rating of at least 90°C.

All cabling behind the appliance must take the shortest route to the edge of the heater.

Ensure that the power cable is not coiled. Shorten the power cable if possible and do not place excess cable on the rear of the heater.

Electrical connections should not normally be made behind the heater panel unless professionally installed using properly thermally protected enclosures that comply with local authority electrical installation standards and regulations.

The heater is not to be located immediately below a socket outlet in either wall or ceiling-mounted positions.

DO NOT drill through the heater as this will cause irreparable damage and is also dangerous.

DO NOT connect a heater that is damaged in any manner to the power network.

For mounting the Herschel panel use the supplied mounting hardware only and install in accordance with the installation guide.

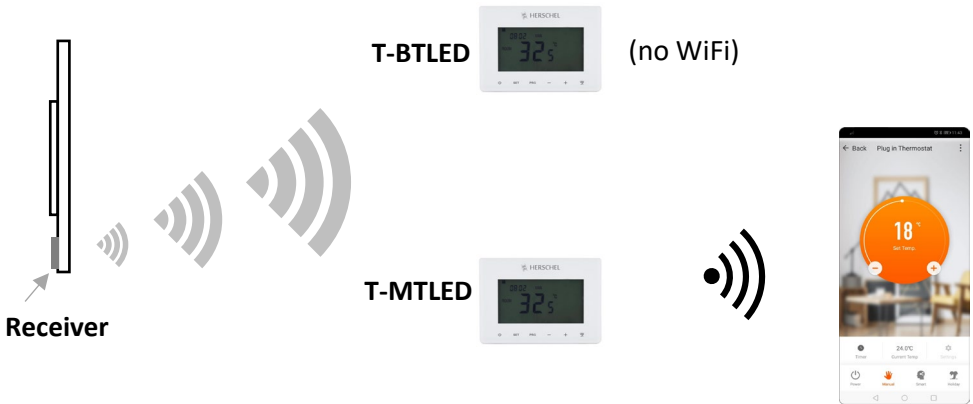
Operation – using with XLS SmartLED controls

All Herschel Select XLS LED heaters are equipped with a receiver on the rear of the rear panel. The receiver will pair wirelessly (via RF) with Herschel's SmartLED Thermostatic controllers. The **T-BTLED** is a battery operated thermostat. Wi-Fi and APP control is not possible with **T-BTLED**.

For new build and renovations, choose the hard wired **T-MTLED** mains powered thermostat which is WiFi enabled.

Once paired with the heater, the controller then sends commands to turn the heater on or off according to the room temperature and program and your backlight requirements.

Be sure to follow the pairing instructions closely. Online help is also available via the Help & Support section of your local Herschel Website.



Pairing the panel to a SmartLED controller

Locate the receiver on the rear of the panel.

There is a power ON/OFF switch on the receiver and there are indicators to show if the panel is paired to a controller and if the heating is ON or OFF.

The heater needs to be paired to a Herschel SmartLED controller (supplied separately). Once paired it will receive ON/OFF commands from the controller.

IMPORTANT: The panel itself does not have an in-built temperature sensor. Efficient use of the heater is only possible by pairing it with a SmartLED controller. The receiver on the Select XLS LED panel will only pair with a SmartLED controller. No other controllers will operate the heater and backlights.

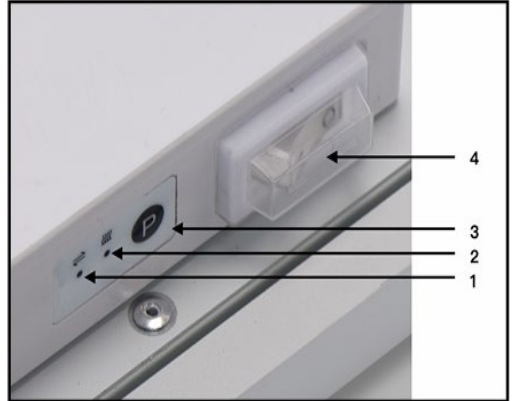
The SmartLED controllers can be paired with and control one or many heater panels. The temperature of the room will be measured by the SmartLED controller. It is normal to use one controller per room but if it is a large room (such as open plan area) you may want to consider more than one thermostat controller. If there are multiple heating panels per room, pair each panel to the relevant room controller.

Pairing the Panel to a SmartLED controller

Receiver functions on the back of the panel are

- 1 Pairing status LED
Status Colours are as follows
White – The heater is not paired
Blue – The heater is paired with one master control
- 2 Heating status LED (red)
- 3 “Pairing” button
- 4 Power switch

We recommend that you temporarily connect the heater to the mains and pair the receiver to your SmartLED controller *before* mounting the panel in its final position.



Pairing

Step 1

Power on your heater with Switch (4). Verify the pairing status LED is White.
Double-Press the “Pairing” button (3) The pairing status LED (1) will start to flash.

Step 2

Power OFF your XLS SmartLED controller, Long-press the SET button until the screen says “PAIR”.

Step 3

The Pairing status LED (1) will stop flashing on the panel receiver unit when pairing is complete and will show a steady Blue light.

NOTE: The Power Switch (4) will need to be in the ON position to receive commands from the controller and should be left in the ON position, even when not in use. The panel will not operate if the power switch is OFF. In the event of a panel failing to heat when required, first check that the Power Switch (4) is in the ON position. The heater is intended to be turned on or off by the Herschel XLS controller with the Power Switch (4) being an override only.

Factory Reset

Reset the receiver to factory settings by long-pressing the “P” button. The pairing status LED will turn White.

Cleaning and maintenance



General

Please note it is possible the heater may discolour with use – this is caused by airborne pollution and is not a fault.

The heater is designed to last many years and incorporates several safety features, but if the heater has not been used or installed in adherence to these instructions, emits any noise, smell, or shows rapid discolouration of the surface, discontinue using the heater and refer to Herschel Customer Service or your local Herschel dealer.

The Herschel panel must be installed, uninstalled, cleaned or transported only when cold.



Painting

The Select XLS LED panels can be painted to match décor using a suitable heat resistant paint. However, Herschel will not be responsible if the paint deteriorates or discolours. Any rights to return the heater for a refund within statutory periods will be voided where the heater has been painted. Painting the panel will not affect your warranty for repair or replacement.



Cleaning

Before attempting to clean the panel, unplug the heater, isolate the unit from the electrical supply and allow it to completely cool down.

DO NOT immerse the Herschel panel heater in water or splash water onto it.

Clean the heater with a damp cloth. For glass models glass cleaner can be used. Never use a wet cloth. When clean, dry the surfaces with a dry cloth.

DO NOT apply abrasive materials, solvents or solvent wipes to the surface as this can cause irreparable damage. Wait until the unit is completely dry before use.



Repair

DO NOT attempt to repair or adjust any electrical or mechanical functions on this unit, doing so will void your warranty. Repairs must only be carried out by Herschel or an authorised Herschel service partner.



Disposal

The heater is an electrical product and must not be disposed of in household waste. A high percentage of the heater can be recycled. Please treat as electrical waste and recycle in accordance with local regulations.



Getting the most from your Herschel heater – top tips**Save energy**

Most people are comfortable in living areas at around 19c with infrared but it varies person to person. Take time to experiment and get used to your system and the temperatures you are happy with. The lower you set your thermostat, the less electricity you will use.

Only heat the rooms that you use. Spare rooms can be heated to much lower temperatures and boosted when people will be occupying them.

Living areas such as living room and kitchen should be heated differently to bedrooms and bathrooms. Living areas are suited to a more constant heating schedule. Bedrooms are usually better to be heated quickly and let to cool down again during the day. Set your controllers to fit with your lifestyle and make the most of the 7 day program function – you might have different heating requirements and times on weekdays to weekends.

**Don't over heat your room and take time to let the system work**

Infrared heating feels different because it warms the room itself, not just the air. This makes you comfortable faster than traditional heaters that only heat the air - and it helps the room hold its heat for longer.

Once the room has reached its comfort level, the heater runs in short top-up cycles, which use noticeably less energy than convection-based heating and setback periods consume very little energy.

For best efficiency, set the temperature you want and let the heater manage the rest. You won't need to turn it up higher to warm things up quicker.

**Don't underspecify your heater requirements**

Herschel is lower energy heating but it's not magic and if you try to heat a room with an undersized heater you'll just end up cold and wasting energy and money. Ensure you have the correct sized heater(s) for the room and if in any doubt consult the website, your local dealer or contact us.

**Go Carbon Zero**

If you've not already done so, switch your energy supplier to a 100% renewable tariff. It's probably the easiest and quickest thing you can do to reduce your Co2 emissions.

**And lastly.. tell your friends**

You'll soon be wondering what life was like in the bad old days before you got your Herschel heaters. Don't keep it to yourself! Share your photos and spread the word on social media to help others to move off their fossil fuel based and inefficient heating systems!

5 Year Warranty

Register your product her <https://www.herschel-infrared.co.uk/customer-service/warranty-registration/> .

Within five years from date of purchase Herschel will repair or replace the heater where the fault is due to defects in materials or workmanship. This warranty is for standard domestic use only and excludes commercial uses. In the event of a warranty claim please visit the Customer Service area of the Herschel Website and follow the Warranty Claim process. You will need proof of purchase and photographs of the heater.

A prerequisite for validity of the warranty is use at the specified supply voltage of the heater and use in accordance with the conditions specified in this manual. Any further warranty or claims are excluded.

The warranty covers the repair or replacement of the defective product only and Herschel shall have no liability for installation costs or consequential losses however incurred. The decision to repair or replace will rest solely with Herschel and any replacement will be as close as possible in specification to the failed heater.

Removing the serial number will void the warranty. The warranty will also be void if the heater has been tampered with or opened in any way.

The product power label must be left on the panels where they can be accessed after installation if necessary.

Herschel Infrared Ltd will assume no responsibility for scratches on surface or frames after first use.

Disclaimer

Herschel Infrared Ltd cannot accept responsibility for damage, loss or injury caused by ingress of water or moisture, accidental damage, mishandling, external impact, adjustment by unauthorised personnel or failure to follow the correct maintenance and safety precautions as stated in the manual. Refer to Herschel Infrared Ltd's warranty policy for full details. See <https://www.herschel-infrared.co.uk>.

Compliance with Ecodesign directive 2024/1103/EC

All Herschel Select XLS LED heaters when used with Herschel SmartLED controllers demonstrate best-in-class performance by exceeding EcoDesign requirements (EU)2024/1103

Herschel is not responsible for any breach of the legislation where the Herschel Select XLS LED heater is used without the appropriate Herschel controller.

ECODESIGN Information for Herschel Select XLS LED heater when used with SmartLED Controllers**When installed as fixed Electric Space Heaters**

Applies to ALL models covered by these instructions.

Required Seasonal Space efficiency = 47.5%
Actual Seasonal Space efficiency = 51.58%

All Herschel Select XLS LED Panels are “best in class” if used with Herschel SmartLED Controls.

Technical Details

Nominal heat output (P_{nom}) = Rated Wattage of heater (see product label)
Maximum continuous heat output ($P_{max,c}$) = Rated Wattage of heater (see product label)

Qualifying Correction Factors

Electronic room temperature control plus week timer
Open Window Detection
Adaptive Start
Distance Control
Control Accuracy <2°C

MESURES DE SÉCURITÉ IMPORTANTES

Le non-respect de ces instructions annulera la garantie.

Ne pas désassembler. Aucune pièce réparable par l'utilisateur à l'intérieur.



ATTENTION



POUR RÉDUIRE LES RISQUES D'INCENDIE, D'ÉLECTROCUTION OU DE BLESSURES

Cet appareil doit être débranché de sa source d'alimentation lors de l'installation ou des travaux de service ainsi que lors du remplacement.

Le radiateur Select XLS LED est équipé d'un récepteur (situé à l'arrière du tableau), qui doit être associé à un contrôleur Herschel SmartLED (vendu séparément) pour contrôler la température ambiante et l'éclairage du radiateur. Ces chauffages ne fonctionnent qu'avec un contrôleur SmartLED.

NE L'UTILISEZ PAS pour chauffer les pièces lorsque les pièces sont occupées par des personnes incapables de sortir seules, sauf si une surveillance constante est assurée. Herschel n'est pas responsable d'aucune violation de la législation EcoDesign ou de sécurité lorsque les chauffages sont utilisés dans un espace clos sans accès à un contrôleur Herschel SmartLED.

Le radiateur Select XLS LED est équipé de capteurs thermiques de sécurité internes. Cependant, afin d'éviter la surchauffe et le risque d'incendie, **NE COUVREZ EN AUCUN CAS** le chauffage. **NE PAS** placer le chauffage à moins de 0,3 m de tout matériau inflammable (par exemple, Meubles, rideaux).

NE TOUCHEZ PAS au chauffage lors de l'utilisation. Les chauffages de tableau Herschel ont une température de surface d'environ 95°C / 248°F (selon la tension d'entrée) et un contact prolongé avec le chauffage peut provoquer des brûlures et des blessures.

NE PAS utiliser le chauffage si le câble est endommagé, après un dysfonctionnement du chauffage, ou s'il a été échappé ou endommagé d'une quelconque manière. Vérifiez chaque chauffage pour détecter des dommages avant l'installation. Assurez-vous que le chauffage lui-même, la fiche (le cas échéant) et le câble sont exempts de tout signe visible de dommage. Si le câble est endommagé, l'appareil doit être envoyé pour réparation chez un revendeur agréé Herschel.

Ce chauffage doit uniquement être utilisé pour chauffer des personnes ou des bâtiments. Le chauffage ne doit pas être utilisé par les enfants ou les personnes ayant des capacités physiques, sensorielles ou mentales réduites, ou manquant d'expérience ou de connaissances. Les enfants doivent être tenus à l'écart et ne doivent pas être laissés sans surveillance dans l'unité. **NE L'UTILISEZ PAS** en extérieur.

Tous les opérateurs ne doivent allumer/éteindre l'appareil que s'il a été placé ou installé dans sa position de fonctionnement prévue conformément à ces instructions. Les enfants ne doivent pas brancher, allumer ou régler l'appareil, ni effectuer l'entretien de l'utilisateur, y compris le nettoyage.

Les panneaux Herschel sont conçus pour une tension alternative comprise entre 220 et 240 volts, 50 Hz AC. Si votre tension d'alimentation dépasse 240 volts, n'utilisez pas le chauffage et consultez votre concessionnaire local. Le non-respect de cette règle annulera la garantie.

Le chauffage doit être monté sur une surface non inflammable.

PROTECTION CONTRE LES INFILTRATIONS D'EAU IP44

Les panneaux chauffants Select XLS LED sont conformes à une norme (IP44 minimum) qui leur permet d'être installés dans la zone 2 d'une salle de bains. Cela signifie qu'ils peuvent être placés au-dessus d'un lavabo ou en dehors de toute zone d'éclaboussures, ou encore au plafond. Ils ne peuvent pas être installés dans les zones 0 ou 1.

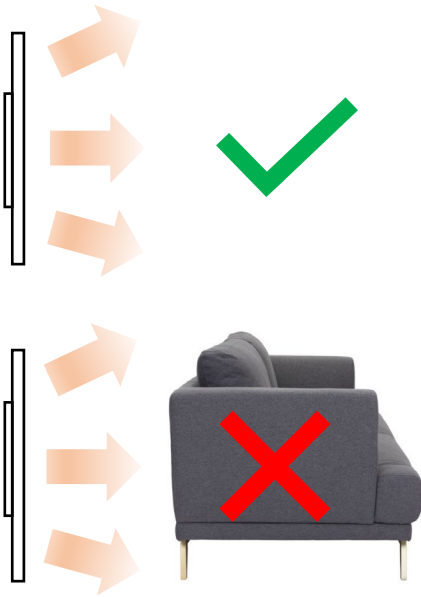
Toutefois, l'installation dans des pièces potentiellement humides ou mouillées, telles que les salles de bains, doit être effectuée par un installateur qualifié et être conforme aux exigences locales en matière de sécurité électrique. L'installation doit être telle que le radiateur ne puisse pas se détacher de ses fixations et tomber dans une baignoire, une douche, une piscine ou tout autre récipient contenant de l'eau, et que les interrupteurs et autres commandes ne puissent pas être touchés par une personne se trouvant dans la baignoire ou la douche.

En cas de doute, ne procédez pas à l'installation. Herschel Infrared Ltd ne peut être tenue responsable des pertes, dommages ou blessures causés ou résultant d'une installation inadéquate ou d'un placement incorrect des radiateurs à proximité de sources d'eau.

FRANÇAIS

Merci d'avoir acheté un radiateur infrarouge Select XLS LED. Doté des toutes dernières technologies en matière de contrôle grâce au système SmartLED de Herschel, d'un système de montage facile et d'un design fin et sans cadre, vous profiterez pendant de nombreuses années d'un chauffage intelligent, confortable et à faible consommation d'énergie. Nous avons essayé de rendre l'installation et l'utilisation de votre radiateur aussi simples que possible. Veuillez lire attentivement ces instructions et les conserver pour référence ultérieure. Si vous avez des questions, notre site web contient également de nombreuses FAQ. Vous pouvez également nous appeler, nous envoyer un message ou discuter en ligne avec nous. Nous sommes toujours ravis de vous aider à tirer le meilleur parti de votre nouveau système de chauffage Herschel.

Positionnement



Il s'agit d'un radiateur à panneaux infrarouges. Il chauffe en transférant directement l'énergie du radiateur vers la pièce et son contenu. Placez le radiateur à un endroit où il ne sera pas immédiatement obstrué par des objets tels que des meubles ou où il ne pourra pas rayonner efficacement, comme au bord ou dans les coins d'une pièce. Les objets volumineux placés devant le radiateur vont chauffer et peuvent empêcher une dispersion efficace de la chaleur dans la pièce. Si possible, évitez de placer le radiateur en face de fenêtres, de portes ouvertes ou derrière des meubles.

Le montage du panneau au plafond permet généralement d'obtenir la meilleure diffusion de chaleur dans la pièce et de libérer de l'espace sur les murs.

Selon la taille du radiateur, vous pourrez probablement sentir la douce chaleur qu'il dégage jusqu'à environ 3 mètres, mais il continuera à rayonner au-delà. Lorsque vous choisissez un emplacement, demandez-vous si vous souhaitez sentir directement la chaleur (par exemple au-dessus d'un canapé) ou non. Plus vous êtes proche du radiateur, plus la chaleur que vous ressentirez sera intense. Cela dépend généralement de vos préférences personnelles.

La chaleur infrarouge se dispersera de la même manière que la lumière provenant d'un panneau lumineux à LED. Si vous installez plusieurs panneaux dans une même pièce, essayez d'imaginer que chaque panneau est une source lumineuse et réfléchissez à la manière dont la lumière « éclairerait » la pièce : vos radiateurs chaufferont la pièce de la même manière.

ATTENTION lors du positionnement:

Maintenez le radiateur à au moins 200 mm des angles des murs et des plafonds ou de tout autre objet fixé aux murs ou aux plafonds.

Maintenez le radiateur à au moins 400 mm d'un autre radiateur.

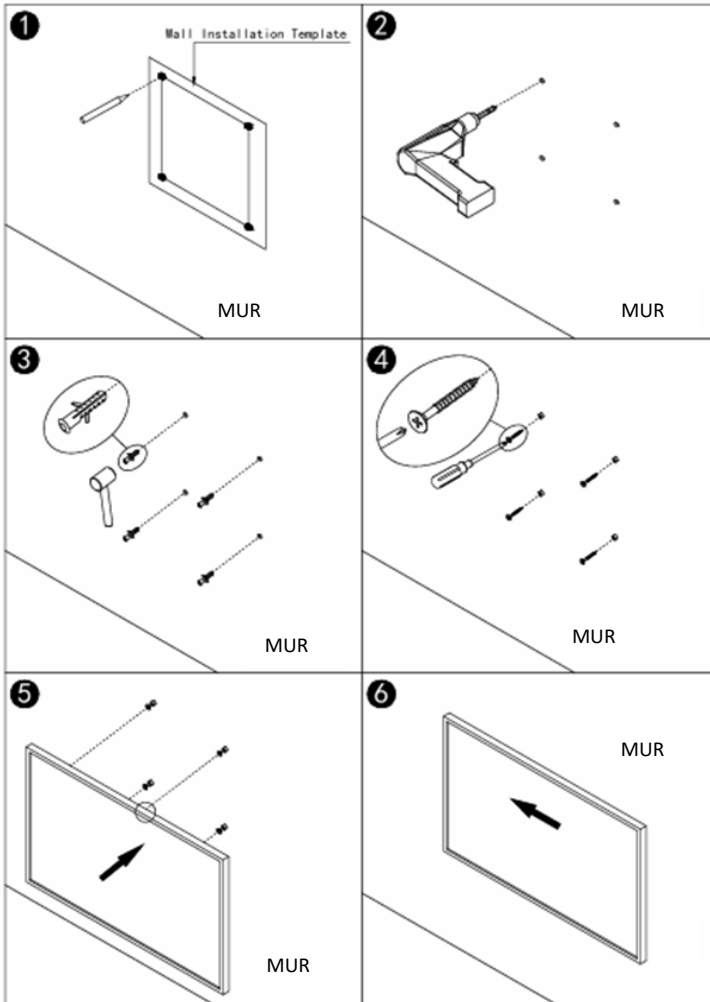
Les appareils de chauffage peuvent être encastrés dans un plafond, mais DOIVENT être placés à au moins 800 mm dans toutes les directions d'un appareil de chauffage voisin. De plus, toutes les plaques de plâtre ou autres structures formant la structure encastrée DOIVENT être à 200 mm de tous les côtés de l'appareil de chauffage.

Le non-respect de l'une des distances ci-dessus entraînera une accumulation excessive de chaleur derrière l'appareil de chauffage et annulera la garantie.

Fixation murale fixe – installation professionnelle requise

Le radiateur Select XLS LED n'est pas équipé d'une fiche et est destiné à être raccordé de manière permanente au câblage fixe du bâtiment via une dérivation protégée par un fusible située à au moins 200 mm du radiateur. Le radiateur NE DOIT PAS être monté immédiatement sous ses connexions électriques. Le radiateur peut être monté en position horizontale ou verticale, le récepteur étant situé sur le bord inférieur. Veillez à percer les trous pour le système de montage à distance des câbles électriques.

Les chevilles fournies sont conçues pour être utilisées sur une surface de montage dure. En cas de montage sur une plaque de plâtre ou une autre surface, il convient d'acheter des fixations adaptées à la surface de montage et au poids du panneau.



Étape 1: Utilisez le gabarit fourni pour marquer la position des vis de fixation sur le mur.

Étape 2: Percez les trous à l'aide d'un foret de 8 mm.

Étape 3: Insérez les chevilles fournies.

Étape 4: Vissez les vis fournies dans les chevilles, en laissant dépasser la tête et environ 2 mm de tige (pour permettre le montage du radiateur).

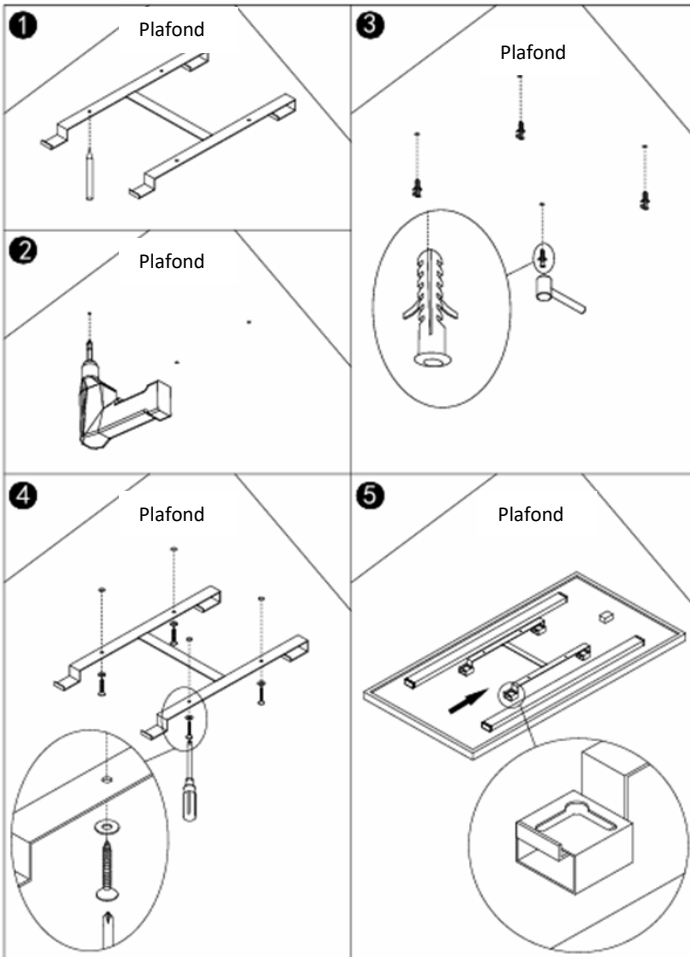
Étape 5: Placez les supports arrière sur les têtes de vis apparentes.

Étape 6: Faites glisser le radiateur vers la gauche ou vers la droite jusqu'à ce qu'il soit bien fixé.

Fixation au plafond. Installation professionnelle requise.

Le radiateur Select XLS LED n'est pas équipé d'une fiche et est destiné à être raccordé de manière permanente au câblage fixe du bâtiment. Les raccordements électriques peuvent être effectués dans le vide du plafond en plaques de plâtre, mais à l'extérieur de l'empreinte du radiateur. Le radiateur NE DOIT PAS être monté immédiatement sous ses raccordements électriques. Veuillez à percer les trous pour le système de montage à distance des câbles électriques.

Les chevilles fournies sont conçues pour être utilisées sur une surface de montage dure. En cas de montage sur des plaques de plâtre ou une autre surface, il convient d'acheter des fixations adaptées à la surface de montage et au poids du panneau.



Étape 1: Utilisez le support en forme de « H » fourni pour marquer la position des vis de fixation au plafond.

Étape 2: Percez les trous à l'aide d'un foret de 8 mm.

Étape 3: Insérez les chevilles fournies.

Étape 4: Vissez les vis fournies à travers le support en forme de « H » dans les chevilles et fixez-les au plafond.

Étape 5: Glissez les supports arrière du radiateur sur le support en forme de H et assurez-vous qu'il est bien fixé et qu'il ne peut pas bouger.

Précautions d'installation** ATTENTION**

Le câblage de cet appareil doit être raccordé conformément aux normes nationales de sécurité électrique applicables. Il s'agit d'un appareil de classe 1 qui doit être mis à la terre.

Lorsqu'il est placé dans des lieux publics, l'installation doit être conforme aux normes électriques locales applicables. Dans certains bâtiments publics tels que les écoles et les maisons de retraite, les radiateurs doivent être installés conformément à la législation spécifique à ces types de bâtiments. L'alimentation électrique de chaque radiateur doit être assurée par un raccordement à un circuit protégé par un fusible ou un dispositif à courant résiduel (RCD) ou un disjoncteur différentiel (GFCI) adapté à la puissance électrique de l'appareil.

Code couleur utilisé dans le câble d'alimentation fourni : le fil MARRON doit être connecté à la phase (« L »), le fil BLEU au neutre (« N ») et le fil VERT/JAUNE à la terre (« E »).

 ATTENTION

Assurez-vous que l'alimentation électrique est coupée avant de commencer une installation impliquant un câblage fixe. Tout câblage fixe à l'extérieur du radiateur entrant en contact ou à proximité immédiate du radiateur doit être protégé par une gaine résistante à une température d'au moins 90 °C.

Tous les câbles situés derrière l'appareil doivent emprunter le chemin le plus court vers le bord du radiateur.

Assurez-vous que le câble d'alimentation n'est pas enroulé. Raccourcissez le câble d'alimentation si possible et ne placez pas de câble excédentaire à l'arrière du radiateur.

Les connexions électriques ne doivent normalement pas être effectuées derrière le panneau chauffant, sauf si elles sont réalisées par un professionnel à l'aide de boîtiers correctement protégés thermiquement et conformes aux normes et réglementations locales en matière d'installations électriques. Le radiateur ne doit pas être placé immédiatement sous une prise de courant, qu'il soit fixé au mur ou au plafond.

NE PERCEZ PAS le radiateur, car cela causerait des dommages irréparables et serait également dangereux.

NE BRANCHEZ PAS un radiateur endommagé de quelque manière que ce soit au réseau électrique.

Pour fixer le panneau Herschel, utilisez uniquement le matériel de fixation fourni et installez-le conformément au guide d'installation.

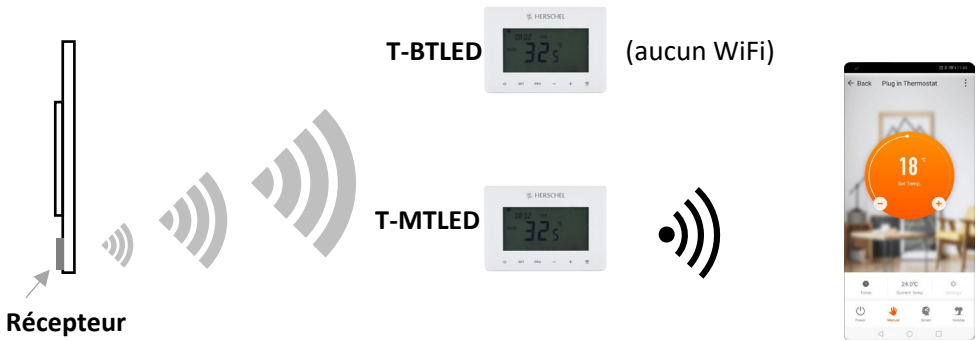
Fonctionnement – utilisation avec les commandes XLS

Tous les radiateurs Select XLS LED sont équipés d'un récepteur situé à l'arrière du panneau arrière. Le récepteur se connecte sans fil (via RF) aux contrôleurs thermostatiques SmartLED de Herschel. Le T-BTLED est un thermostat fonctionnant sur piles. Le contrôle Wi-Fi et via l'application n'est pas possible avec le T-BTLED.

Pour les constructions neuves et les rénovations, choisissez le thermostat filaire T-MTLED alimenté par le secteur et compatible Wi-Fi.

Une fois appairé avec le radiateur, le contrôleur envoie des commandes pour allumer ou éteindre le radiateur en fonction de la température ambiante, du programme et de vos besoins en matière de rétroéclairage.

Veillez à suivre attentivement les instructions d'appairage. Une aide en ligne est également disponible dans la section Aide et assistance de votre site web Herschel local.



Appairage du panneau avec un contrôleur SmartLED

Localisez le récepteur à l'arrière du panneau.

Le récepteur est équipé d'un interrupteur marche/arrêt et de voyants indiquant si le panneau est appairé à un contrôleur et si le chauffage est activé ou désactivé.

Le chauffage doit être appairé à un contrôleur Herschel SmartLED (fourni séparément). Une fois appairé, il recevra les commandes marche/arrêt du contrôleur.

IMPORTANT : le panneau lui-même ne dispose pas d'un capteur de température intégré. Une utilisation efficace du chauffage n'est possible qu'en le connectant à un contrôleur SmartLED. Le récepteur du panneau Select XLS LED ne peut être connecté qu'à un contrôleur SmartLED. Aucun autre contrôleur ne permet de faire fonctionner le chauffage et le rétroéclairage.

Les contrôleurs SmartLED peuvent être appairés avec un ou plusieurs panneaux chauffants et les contrôler. La température de la pièce sera mesurée par le contrôleur SmartLED. Il est normal d'utiliser un contrôleur par pièce, mais s'il s'agit d'une grande pièce (comme un espace ouvert), vous pouvez envisager d'utiliser plusieurs contrôleurs thermostatiques. S'il y a plusieurs panneaux chauffants par pièce, appairez chaque panneau au contrôleur de pièce correspondant.

Couplage du SMART-R à un contrôleur XLS

Les fonctions du récepteur à l'arrière du panneau sont les suivantes

1 LED d'état d'appairage

Les couleurs d'état sont les suivantes

Blanc : le chauffage n'est pas appairé.

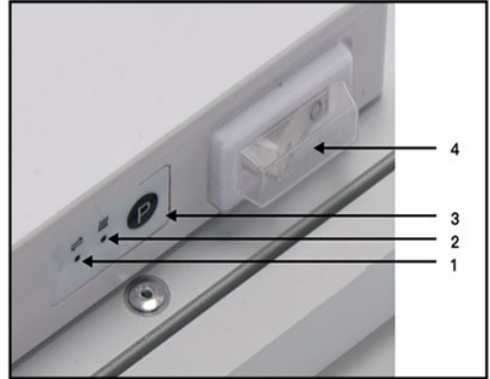
Bleu : le chauffage est appairé avec une commande principale.

2 LED d'état de chauffage (rouge)

3 Bouton « Appairage »

4 Interrupteur d'alimentation

Nous vous recommandons de brancher temporairement le chauffage au secteur et d'appairer le récepteur à votre contrôleur SmartLED avant de monter le panneau dans sa position définitive.



Appairage

Étape 1

Allumez votre chauffage à l'aide du commutateur (4). Vérifiez que le voyant d'état d'appairage est blanc. Appuyez deux fois sur le bouton « Pairing » (3). Le voyant d'état d'appairage (1) commence à clignoter.

Étape 2

Éteignez votre contrôleur XLS SmartLED, appuyez longuement sur le bouton SET jusqu'à ce que l'écran affiche « PAIR ».

Étape 3

Le voyant d'état d'appairage (1) cessera de clignoter sur le récepteur du panneau lorsque l'appairage sera terminé et restera allumé en bleu.

REMARQUE: l'interrupteur d'alimentation (4) doit être en position ON pour recevoir les commandes du contrôleur et doit rester en position ON, même lorsqu'il n'est pas utilisé. Le panneau ne fonctionnera pas si l'interrupteur d'alimentation est en position OFF. Si un panneau ne chauffe pas lorsque cela est nécessaire, vérifiez d'abord que l'interrupteur d'alimentation (4) est en position ON. Le chauffage est conçu pour être allumé ou éteint par le contrôleur Herschel XLS, l'interrupteur d'alimentation (4) ne servant qu'à le contourner.

Réinitialisation d'usine

Réinitialisez le récepteur aux paramètres d'usine en appuyant longuement sur le bouton « P ». La LED d'état d'appairage devient blanche.

Nettoyage et entretien



Généralités

Veillez noter que le radiateur peut se décolorer à l'usage. Ce phénomène est dû à la pollution atmosphérique et ne constitue pas un défaut.

Le radiateur est conçu pour durer de nombreuses années et intègre plusieurs dispositifs de sécurité, mais s'il n'a pas été utilisé ou installé conformément à ces instructions, s'il émet un bruit ou une odeur, ou si sa surface se décolore rapidement, cessez de l'utiliser et contactez le service clientèle de Herschel ou votre revendeur Herschel local.

Le panneau Herschel doit être installé, désinstallé, nettoyé ou transporté uniquement lorsqu'il est froid.



Peinture

Les panneaux Select XLS LED peuvent être peints à l'aide d'une peinture résistante à la chaleur adaptée afin de s'harmoniser avec votre décoration. Cependant, Herschel ne sera pas responsable si la peinture se détériore ou se décolore. Tout droit de retourner le radiateur pour obtenir un remboursement dans les délais légaux sera annulé si le radiateur a été peint. La peinture du panneau n'affectera pas votre garantie de réparation ou de remplacement.



Nettoyage

Avant de nettoyer le panneau, débranchez le radiateur, isolez l'appareil de l'alimentation électrique et laissez-le refroidir complètement.

NE PLONGEZ PAS le radiateur à panneau Herschel dans l'eau et ne l'éclaboussez pas.

Nettoyez le radiateur avec un chiffon humide. Pour les modèles en verre, vous pouvez utiliser un nettoyant pour vitres. N'utilisez jamais de chiffon mouillé. Une fois propre, séchez les surfaces avec un chiffon sec.

N'appliquez PAS de matériaux abrasifs, de solvants ou de lingettes imprégnées de solvant sur la surface, car cela pourrait causer des dommages irréparables. Attendez que l'appareil soit complètement sec avant de l'utiliser.



Réparation

N'essayez PAS de réparer ou de régler les fonctions électriques ou mécaniques de cet appareil, car cela annulerait votre garantie. Les réparations doivent être effectuées uniquement par Herschel ou un partenaire de service agréé par Herschel.



Mise au rebut

Le radiateur est un produit électrique et ne doit pas être jeté avec les déchets ménagers. Une grande partie du radiateur peut être recyclée. Veuillez le traiter comme un déchet électrique et le recycler conformément à la réglementation locale.



Tirer le meilleur parti de votre chauffage Herschel – les meilleurs conseils



Économisez l'énergie

La plupart des gens se sentent à l'aise dans des pièces à vivre à environ 19 °C avec le chauffage infrarouge, mais cela varie d'une personne à l'autre. Prenez le temps d'expérimenter et de vous habituer à votre système et aux températures qui vous conviennent. Plus vous réglez votre thermostat à une température basse, moins vous consommerez d'électricité.

Ne chauffez que les pièces que vous utilisez. Les pièces inoccupées peuvent être chauffées à des températures beaucoup plus basses et chauffées davantage lorsque des personnes les occupent.

Les pièces à vivre telles que le salon et la cuisine doivent être chauffées différemment des chambres et des salles de bains. Les pièces à vivre se prêtent mieux à un programme de chauffage plus constant. Il est généralement préférable de chauffer rapidement les chambres et de les laisser refroidir pendant la journée. Réglez vos thermostats en fonction de votre mode de vie et tirez le meilleur parti de la fonction de programmation sur 7 jours : vos besoins et vos horaires de chauffage peuvent varier entre la semaine et le week-end.



Ne surchauffez pas votre pièce et laissez le temps au système de fonctionner

Le chauffage infrarouge procure une sensation différente, car il réchauffe la pièce elle-même, et pas seulement l'air. Vous vous sentez ainsi plus rapidement à l'aise qu'avec les radiateurs traditionnels qui ne chauffent que l'air, et la pièce conserve sa chaleur plus longtemps.

Une fois que la pièce a atteint son niveau de confort, le radiateur fonctionne par cycles courts de réchauffage, qui consomment nettement moins d'énergie que le chauffage par convection, et les périodes de ralentissement consomment très peu d'énergie.

Pour une efficacité optimale, réglez la température souhaitée et laissez le radiateur s'occuper du reste. Vous n'aurez pas besoin d'augmenter la température pour réchauffer la pièce plus rapidement.



Ne sous-estimez pas vos besoins en matière de chauffage

Herschel est un système de chauffage à faible consommation d'énergie, mais ce n'est pas magique. Si vous essayez de chauffer une pièce avec un radiateur sous-dimensionné, vous finirez par avoir froid et gaspiller de l'énergie et de l'argent. Assurez-vous d'avoir un ou plusieurs radiateurs adaptés à la taille de la pièce et, en cas de doute, consultez le site web, votre revendeur local ou contactez-nous.



Passez au zéro carbone

Si vous ne l'avez pas encore fait, passez de votre fournisseur d'énergie à un tarif 100 % renouvelable. C'est probablement la chose la plus simple et la plus rapide que vous puissiez faire pour réduire vos émissions de Co2.



Et enfin... parlez à vos amis

Vous vous demanderez bientôt à quoi ressemblait la vie dans le mauvais vieux temps avant d'avoir vos radiateurs Herschel. Ne le gardez pas pour vous ! Partagez vos photos et faites passer le mot sur les réseaux sociaux pour aider les autres à se débarrasser de leurs systèmes de chauffage inefficaces et basés sur les combustibles fossiles !

Garantie de 5 ans

Enregistrez votre produit ici <https://www.herschel-infrarouge.fr/service-clients/enregistrement-garantie/>.

Dans les cinq ans suivant la date d'achat, Herschel réparera ou remplacera le radiateur si le défaut est dû à un vice de matériau ou de fabrication. Cette garantie s'applique uniquement à un usage domestique standard et exclut tout usage commercial. En cas de réclamation au titre de la garantie, veuillez vous rendre dans la section Service clientèle du site Web de Herschel et suivre la procédure de réclamation au titre de la garantie. Vous devrez fournir une preuve d'achat et des photos du radiateur.

La validité de la garantie est soumise à l'utilisation de l'appareil à la tension d'alimentation spécifiée et conformément aux conditions indiquées dans le présent manuel. Toute autre garantie ou réclamation est exclue.

La garantie couvre uniquement la réparation ou le remplacement du produit défectueux et Herschel décline toute responsabilité quant aux frais d'installation ou aux pertes consécutives, quelles qu'en soient les causes. La décision de réparer ou de remplacer l'appareil appartient exclusivement à Herschel et tout remplacement sera aussi proche que possible des spécifications de l'appareil défectueux.

Le retrait du numéro de série annulera la garantie. La garantie sera également annulée si le radiateur a été altéré ou ouvert de quelque manière que ce soit.

L'étiquette d'alimentation du produit doit être laissée sur les panneaux où elle est accessible après l'installation, si nécessaire.

Herschel Infrared Ltd n'assume aucune responsabilité pour les rayures sur la surface ou les cadres après la première utilisation.

Avertissement

Herschel Infrared Ltd décline toute responsabilité en cas de dommages, pertes ou blessures causés par la pénétration d'eau ou d'humidité, des dommages accidentels, une mauvaise utilisation, un choc externe, un réglage effectué par du personnel non autorisé ou le non-respect des consignes d'entretien et de sécurité indiquées dans le manuel. Pour plus de détails, veuillez vous reporter à la politique de garantie de Herschel Infrared Ltd.

Voir <https://www.herschel-infrarouge.fr>.

Conformité à la directive Écoconception 2024/1103/

Tous les radiateurs Select XLS LED, lorsqu'ils sont utilisés avec les contrôleurs Herschel SmartLED, offrent les meilleures performances de leur catégorie en dépassant les exigences de la norme EcoDesign (UE) 2024/1103.

Herschel n'est pas responsable de toute violation de la législation lorsque le radiateur Select XLS LED est utilisé sans le contrôleur Herschel approprié.

Informations ECODSIGN pour le radiateur Select XLS LED utilisé avec les contrôleurs SmartLED**Lorsqu'il est installé comme radiateur électrique fixe**

S'applique à TOUS les modèles couverts par ces instructions.

Efficacité saisonnière requise = 47,5 %

Efficacité saisonnière réelle = 51,58 %

Tous les panneaux Select XLS LED sont « les meilleurs de leur catégorie » lorsqu'ils sont utilisés avec les contrôleurs Herschel SmartLED.

Détails techniques

Puissance calorifique nominale (P_{nom}) = Puissance nominale du radiateur (voir l'étiquette du produit)

Puissance calorifique maximale continue ($P_{max,c}$) = Puissance nominale du radiateur (voir l'étiquette du produit)

Facteurs de correction admissibles

Régulation électronique de la température ambiante et minuterie hebdomadaire

Détection de fenêtre ouverte

Démarrage adaptatif

Contrôle de la distance

Précision de contrôle <2 °C

WICHTIGE SICHERHEITSHINWEISE

Die Nichtbeachtung dieser Anweisungen führt zum Erlöschen der Garantie.

Nicht zerlegen. Im Inneren befinden sich keine vom Benutzer zu wartenden Teile.

ACHTUNG

UM DAS RISIKO VON BRAND, STROMSCHLAG ODER VERLETZUNGEN ZU VERRINGERN

Dieses Gerät muss während der Installation oder Wartungsarbeiten sowie beim Austausch vom Stromnetz getrennt werden.

Der Select XLS LED-Heizkörper ist mit einem Empfänger (auf der Rückseite des Panels) ausgestattet, der mit einem Herschel SmartLED-Controller (separat erhältlich) gekoppelt werden muss, um die Raumtemperatur und die Beleuchtung des Heizkörpers zu steuern. Diese Heizgeräte funktionieren nur mit einem SmartLED-Controller.

Verwenden Sie das Gerät **NICHT** zur Raumheizung, wenn sich Personen im Raum befinden, die diesen nicht selbstständig verlassen können, es sei denn, es wird eine ständige Aufsicht gewährleistet. Herschel haftet nicht für Verstöße gegen Ökodesign- oder Sicherheitsvorschriften, wenn die Heizgeräte in einem geschlossenen Raum ohne Zugang zu einem Herschel SmartLED-Controller verwendet werden.

Der Select XLS LED-Heizkörper verfügt über interne thermische Sicherheitssensoren. Um jedoch eine Überhitzung und eine mögliche Brandgefahr zu vermeiden, darf der Heizkörper unter keinen Umständen abgedeckt werden. Stellen Sie den Heizkörper **NICHT** in einem Abstand von weniger als 0,3 m zu brennbaren Materialien (z. B. Möbel, Vorhänge) auf.

Berühren Sie das Heizgerät **NICHT** während des Betriebs. Herschel-Flächenheizgeräte haben eine Oberflächentemperatur von etwa 95 °C (abhängig von der Eingangsspannung) und längerer Kontakt mit dem Heizgerät kann zu Verbrennungen und Verletzungen führen.

Betreiben Sie das Heizgerät **NICHT**, wenn das Kabel beschädigt ist, wenn das Heizgerät nicht ordnungsgemäß funktioniert oder wenn es heruntergefallen ist oder in irgendeiner Weise beschädigt wurde. Überprüfen Sie jedes Heizgerät vor der Installation auf Beschädigungen. Vergewissern Sie sich, dass das Heizgerät selbst, der Stecker (falls vorhanden) und das Kabel keine sichtbaren Anzeichen von Beschädigungen aufweisen. Wenn das Kabel beschädigt ist, muss das Gerät zur Reparatur an einen autorisierten Herschel-Händler geschickt werden.

Dieses Heizgerät darf nur zum Beheizen von Personen oder Gebäuden verwendet werden. Das Heizgerät darf nicht von Kindern oder Personen mit eingeschränkten körperlichen, sensorischen oder geistigen Fähigkeiten oder mangelnder Erfahrung oder Kenntnis verwendet werden. Kinder sollten ferngehalten werden und dürfen nicht unbeaufsichtigt in der Nähe des Geräts bleiben. **NICHT** im Freien verwenden.

Alle Bediener dürfen das Gerät nur dann ein- und ausschalten, wenn es gemäß diesen Anweisungen an seinem vorgesehenen Betriebsort aufgestellt oder installiert wurde. Kinder dürfen das Gerät nicht anschließen, einschalten oder regulieren und keine Wartungsarbeiten, einschließlich der Reinigung, durchführen.

Herschel-Heizpaneele sind für den Betrieb mit einer Wechselspannung zwischen 220 und 240 Volt, 50 Hz AC ausgelegt. Wenn Ihre Versorgungsspannung 240 Volt überschreitet, verwenden Sie das Heizgerät nicht und wenden Sie sich an Ihren Händler vor Ort. Bei Nichtbeachtung erlischt die Garantie.

Das Heizgerät muss auf einer nicht brennbaren Oberfläche montiert werden.

WASSEREINDRINGUNGSSCHUTZ IP44

Herschel Select XLS LED-Heizpaneele entsprechen einer Norm (mindestens IP44), sodass sie in Zone 2 eines Badezimmers angebracht werden können. Das bedeutet, dass sie über einem Waschbecken oder außerhalb von Spritzwasserzonen angebracht oder an der Decke installiert werden können. Sie dürfen nicht in den Zonen 0 oder 1 installiert werden.

Die Installation in potenziell nassen oder feuchten Räumen wie Badezimmern muss jedoch von einem entsprechend qualifizierten Installateur durchgeführt werden und den örtlichen elektrischen Sicherheitsanforderungen entsprechen. Die Installation muss so erfolgen, dass sich die Heizung nicht von den Befestigungen lösen und in eine Badewanne, Dusche, einen Swimmingpool oder einen anderen Wasserbehälter fallen kann und dass Schalter und andere Bedienelemente nicht von einer Person in der Badewanne oder Dusche berührt werden können.

Im Zweifelsfall darf die Installation nicht durchgeführt werden. Herschel Infrared Ltd haftet nicht für Verluste, Schäden oder Verletzungen, die durch unsachgemäße Montage oder falsche Platzierung von Heizgeräten in der Nähe von Wasserquellen verursacht werden oder daraus resultieren.

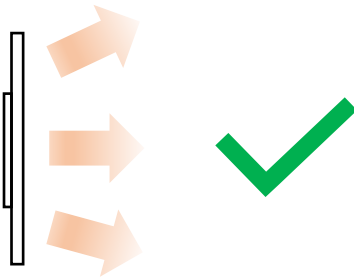
DEUTSCH



Vielen Dank, dass Sie sich für einen Herschel Select XLS LED-Infrarotstrahler entschieden haben. Dank modernster Steuerungstechnologie mit dem SmartLED-Steuerungssystem von Herschel, einem einfachen Montagesystem und einem schlanken, rahmenlosen Design werden Sie viele Jahre lang von einer energiesparenden, intelligenten und komfortablen Heizung profitieren.

Wir haben uns bemüht, die Installation und Verwendung Ihres Heizgeräts so einfach wie möglich zu gestalten. Bitte lesen Sie diese Anleitung vollständig durch und bewahren Sie sie zum späteren Nachschlagen auf. Wenn Sie Fragen haben, finden Sie auf unserer Website zahlreiche FAQs. Sie können uns auch anrufen, eine Nachricht senden oder mit uns online chatten. Wir helfen Ihnen gerne dabei, Ihr neues Herschel-Heizsystem optimal zu nutzen.

Positionierung



Dies ist ein Infrarot-Flächenheizgerät. Es heizt, indem es Energie direkt vom Heizgerät in den Raum und dessen Inhalt überträgt. Stellen Sie das Heizgerät so auf, dass es nicht unmittelbar durch Gegenstände wie Möbel verdeckt wird oder an Stellen, an denen es nicht effektiv strahlen kann, wie z. B. an den Rändern oder in den Ecken eines Raumes. Große Gegenstände, die vor dem Heizgerät stehen, erwärmen sich und können eine effektive Wärmeverteilung im Raum verhindern. Vermeiden Sie nach Möglichkeit, den Heizkörper gegenüber von Fenstern, offenen Türen oder hinter Möbeln aufzustellen.

Die Montage des Heizkörpers an der Decke sorgt in der Regel für die beste Wärmeverteilung im Raum und hält die Wände frei.

Je nach Größe des Heizgeräts können Sie die sanfte Wärme des Heizgeräts wahrscheinlich bis zu einer Entfernung von etwa 3 m spüren, aber es strahlt auch darüber hinaus weiterhin Wärme ab. Berücksichtigen Sie bei der Wahl der Montageposition, ob Sie die Wärme direkt spüren möchten (z. B. über einem Sofa) oder nicht. Je näher Sie sich am Heizgerät befinden, desto stärker spüren Sie die Wärme. Dies ist in der Regel eine Frage der persönlichen Vorliebe.

Die Infrarotwärme verteilt sich auf die gleiche Weise wie das Licht einer LED-Panel-Leuchte. Wenn Sie mehrere Panels in einem Raum installieren, stellen Sie sich jedes Panel als eine Leuchte vor und überlegen Sie, wie das Licht den Raum „ausleuchtet“ würde – Ihre Heizgeräte heizen den Raum auf ähnliche Weise.

VORSICHT bei der Positionierung:

Halten Sie einen Abstand von mindestens 200 mm zu Ecken von Wänden und Decken oder zu anderen Gegenständen an Wänden oder Decken ein.

Halten Sie einen Abstand von mindestens 400 mm zu benachbarten Heizgeräten ein.

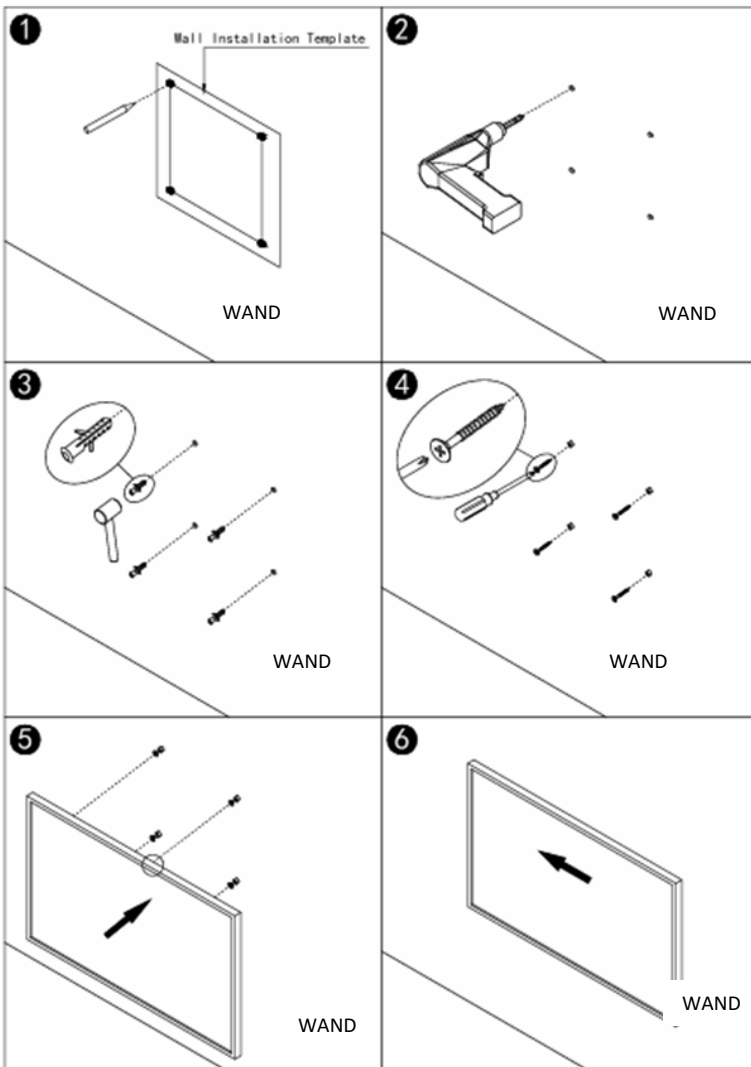
Heizgeräte können in die Decke eingelassen werden, **MÜSSEN** jedoch in jeder Richtung einen Abstand von mindestens 800 mm zu benachbarten Heizgeräten haben. Außerdem **MÜSSEN** alle Gipskartonplatten oder anderen Strukturen, die die Einbaustruktur bilden, einen Abstand von 200 mm zu allen Seiten des Heizgeräts haben.

DEUTSCH

Feste Wandmontage – professionelle Installation erforderlich

Der Select XLS LED-Heizkörper wird ohne Stecker geliefert und ist für den festen Anschluss an die Gebäudeverschaltung über einen abgesicherten Abzweig vorgesehen, der mindestens 200 mm vom Heizkörper entfernt sein muss. Der Heizkörper DARF NICHT unmittelbar unterhalb seiner elektrischen Anschlüsse montiert werden. Der Heizkörper kann entweder im Quer- oder Hochformat montiert werden, wobei sich der Empfänger an der untersten Kante befinden muss. Achten Sie beim Bohren der Löcher für das Befestigungssystem darauf, dass keine elektrischen Kabel im Weg sind.

Die mitgelieferten Dübel sind für die Verwendung auf einer harten Montagefläche vorgesehen. Bei der Montage auf Gipskartonplatten oder anderen Oberflächen müssen geeignete Befestigungen für die Montagefläche und das Gewicht der Platte erworben werden.



Schritt 1: Markieren Sie mithilfe der mitgelieferten Schablone die Position der Befestigungsschrauben an der Wand.

Schritt 2: Bohren Sie die Löcher mit einem 8-mm-Bohrer.

Schritt 3: Setzen Sie die mitgelieferten Dübel ein.

Schritt 4: Drehen Sie die mitgelieferten Schrauben in die Dübel ein, wobei der Kopf und ca. 2 mm des Schafts frei bleiben müssen (damit die Heizung darauf montiert werden kann).

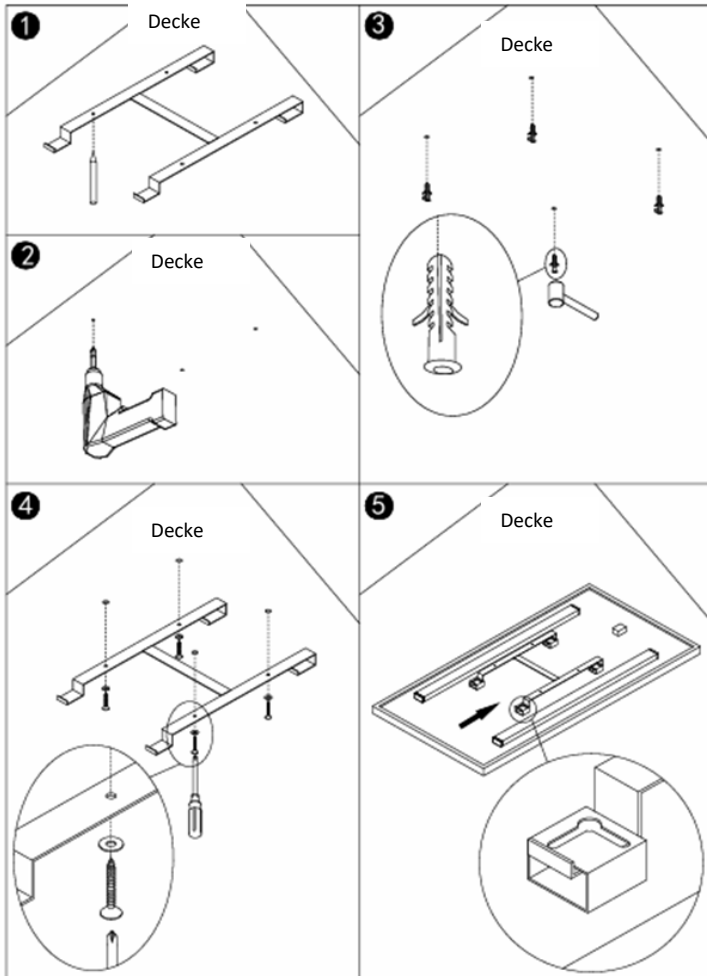
Schritt 5: Setzen Sie die hinteren Halterungen auf die freiliegenden Schraubenköpfe.

Schritt 6: Schieben Sie die Heizung nach links oder rechts, bis sie fest sitzt.

Deckenmontage. Professionelle Installation erforderlich.

Der Select XLS LED-Heizkörper wird ohne Stecker geliefert und ist für den festen Anschluss an die Gebäudeverschaltung vorgesehen. Die elektrischen Anschlüsse können innerhalb des Hohlraums der Gipskartondecke, jedoch außerhalb des Heizkörperbereichs vorgenommen werden. Der Heizkörper DARF NICHT unmittelbar unterhalb seiner elektrischen Anschlüsse montiert werden. Achten Sie beim Bohren der Löcher für das Befestigungssystem darauf, dass keine elektrischen Kabel beschädigt werden.

Die mitgelieferten Dübel sind für die Verwendung auf einer harten Montagefläche vorgesehen. Bei der Montage auf Gipskartonplatten oder anderen Oberflächen müssen geeignete Befestigungen für die Montagefläche und das Gewicht der Platte gekauft werden.



Schritt 1: Verwenden Sie die mitgelieferte H-förmige Halterung, um die Position der Befestigungsschrauben an der Decke zu markieren.

Schritt 2: Bohren Sie die Löcher mit einem 8-mm-Bohrer.

Schritt 3: Setzen Sie die mitgelieferten Dübel ein.

Schritt 4: Schrauben Sie die mitgelieferten Schrauben durch die H-förmige Halterung in die Dübel und befestigen Sie sie an der Decke.

Schritt 5: Schieben Sie die hinteren Halterungen des Heizgeräts auf die H-förmige Halterung und stellen Sie sicher, dass sie fest sitzt und sich nicht bewegen kann.

Vorsichtsmaßnahmen bei der Installation

WARNUNG

Die Verkabelung dieses Geräts muss gemäß den einschlägigen nationalen Sicherheitsnormen für elektrische Geräte erfolgen. Es handelt sich um ein Gerät der Klasse 1, das geerdet werden muss. Bei Aufstellung in öffentlichen Bereichen muss die Installation den einschlägigen lokalen Elektrizitätsnormen entsprechen. In bestimmten öffentlichen Gebäuden wie Schulen und Pflegeheimen müssen die Heizgeräte gemäß den spezifischen Vorschriften für diese Art von Gebäuden installiert werden.

Die Stromversorgung jedes Heizgeräts sollte über einen Stromkreis erfolgen, der durch eine Sicherung oder einen Fehlerstromschutzschalter (RCD) oder einen Fehlerstromschutzschalter (GFCI) geschützt ist, der für die Nennleistung des Geräts geeignet ist.

Farbcodierung des mitgelieferten Netzkabels: Der BRAUNE Draht ist an LIVE („L“) anzuschließen, der BLAUE Draht an NEUTRAL („N“) und der GRÜN/GELBE Draht an ERDE („E“).

VORSICHT

Stellen Sie sicher, dass die Netzstromversorgung ausgeschaltet ist, bevor Sie mit einer Installation mit fester Verkabelung beginnen. Alle festen Kabel außerhalb des Heizgeräts, die mit dem Heizgerät in Kontakt kommen oder sich in dessen unmittelbarer Nähe befinden, müssen durch eine Ummantelung mit einer Temperaturbeständigkeit von mindestens 90 °C geschützt werden.

Alle Kabel hinter dem Gerät müssen auf dem kürzesten Weg zum Rand des Heizgeräts verlegt werden.

Stellen Sie sicher, dass das Netzkabel nicht aufgerollt ist. Kürzen Sie das Netzkabel nach Möglichkeit und legen Sie überschüssiges Kabel nicht auf der Rückseite des Heizgeräts ab.

Elektrische Anschlüsse sollten normalerweise nicht hinter der Heizungsabdeckung vorgenommen werden, es sei denn, sie werden von einem Fachmann unter Verwendung von ordnungsgemäß thermisch geschützten Gehäusen installiert, die den örtlichen Vorschriften und Bestimmungen für elektrische Installationen entsprechen.

Die Heizung darf weder bei Wand- noch bei Deckenmontage unmittelbar unter einer Steckdose angebracht werden.

Bohren Sie NICHT durch die Heizung, da dies zu irreparablen Schäden führt und außerdem gefährlich ist.

Schließen Sie eine Heizung, die in irgendeiner Weise beschädigt ist, NICHT an das Stromnetz an.

Verwenden Sie für die Montage des Herschel-Panels ausschließlich die mitgelieferten Befestigungsteile und installieren Sie es gemäß der Installationsanleitung.

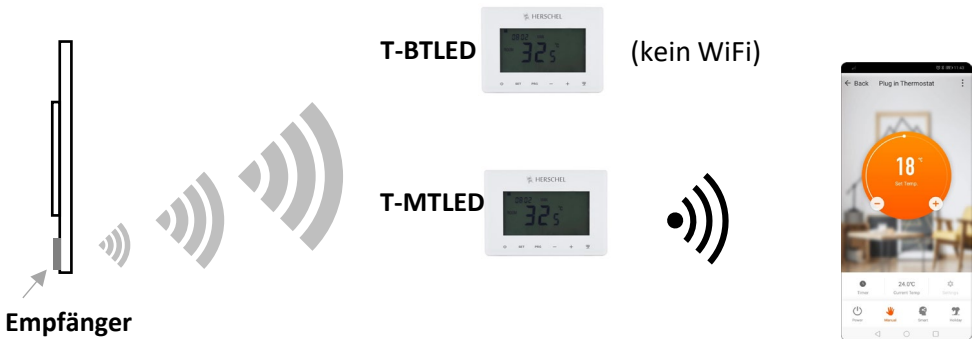
Bedienung – Verwendung mit XLS SmartLED-Steuerungen

Alle Herschel Select XLS LED-Heizgeräte sind auf der Rückseite mit einem Empfänger ausgestattet. Der Empfänger verbindet sich drahtlos (über RF) mit den SmartLED-Thermostatreglern von Herschel. Der **T-BTLED** ist ein batteriebetriebener Thermostat. Eine Steuerung über WLAN und APP ist mit dem **T-BTLED** nicht möglich.

Für Neubauten und Renovierungen wählen Sie den fest verdrahteten, netzbetriebenen Thermostat **T-MTLED**, der WLAN-fähig ist.

Sobald der Regler mit dem Heizgerät gekoppelt ist, sendet er Befehle zum Ein- und Ausschalten des Heizgeräts entsprechend der Raumtemperatur, dem Programm und Ihren Anforderungen an die Hintergrundbeleuchtung.

Befolgen Sie die Anweisungen zum Koppeln genau. Online-Hilfe finden Sie auch im Bereich „Hilfe & Support“ auf Ihrer lokalen Herschel-Website.



Koppeln des Panels mit einem SmartLED-Controller

Suchen Sie den Empfänger auf der Rückseite des Panels.

Der Empfänger verfügt über einen Ein-/Aus-Schalter und Anzeigen, die anzeigen, ob das Panel mit einem Controller gekoppelt ist und ob die Heizung ein- oder ausgeschaltet ist.

Die Heizung muss mit einem Herschel SmartLED-Controller (separat erhältlich) gekoppelt werden. Nach der Kopplung empfängt sie Ein-/Aus-Befehle vom Controller.

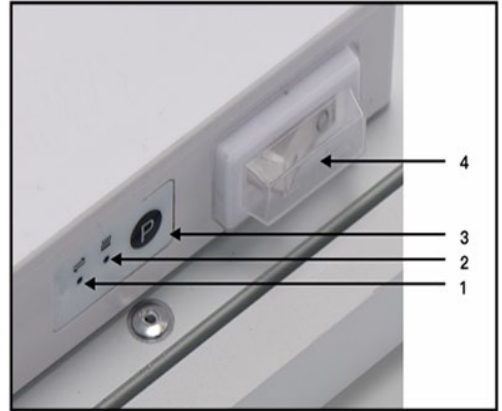
WICHTIG: Das Panel selbst verfügt über keinen integrierten Temperatursensor. Eine effiziente Nutzung der Heizung ist nur durch die Kopplung mit einem SmartLED-Controller möglich. Der Empfänger am Select XLS LED-Panel lässt sich nur mit einem SmartLED-Controller koppeln. Keine anderen Controller können die Heizung und die Hintergrundbeleuchtung steuern.

Die SmartLED-Regler können mit einem oder mehreren Heizpaneelen gekoppelt werden und diese steuern. Die Temperatur des Raums wird vom SmartLED-Regler gemessen. Normalerweise wird ein Regler pro Raum verwendet, aber wenn es sich um einen großen Raum handelt (z. B. einen offenen Bereich), sollten Sie möglicherweise mehr als einen Thermostatregler in Betracht ziehen. Wenn es mehrere Heizpaneele pro Raum gibt, koppeln Sie jedes Paneel mit dem entsprechenden Raumregler.

Koppeln des Panels mit einem SmartLED-Controller

Die Funktionen der Empfänger auf der Rückseite des Bedienfelds sind

- 1 LED für den Kopplungsstatus
Die Statusfarben sind wie folgt
Weiß – Der Heizkörper ist nicht gekoppelt.
Blau – Der Heizkörper ist mit einer Master-Steuerung gekoppelt.
- 2 LED für den Heizstatus (rot)
- 3 Taste „Koppeln“
- 4 Netzschalter



Wir empfehlen Ihnen, das Heizgerät vorübergehend an das Stromnetz anzuschließen und den Empfänger mit Ihrem SmartLED-Controller zu koppeln, bevor Sie das Panel an seiner endgültigen Position montieren.

Koppeln

Schritt 1

Schalten Sie Ihre Heizung mit dem Schalter (4) ein. Vergewissern Sie sich, dass die LED für den Kopplungsstatus weiß leuchtet.
Drücken Sie zweimal auf die Taste „Pairing“ (3). Die LED für den Kopplungsstatus (1) beginnt zu blinken.

Schritt 2

Schalten Sie Ihren XLS SmartLED-Controller aus und drücken Sie lange auf die Taste SET, bis auf dem Bildschirm „PAIR“ angezeigt wird.

Schritt 3

Die LED für den Kopplungsstatus (1) auf der Empfängereinheit des Panels hört auf zu blinken, wenn die Kopplung abgeschlossen ist, und leuchtet dann dauerhaft blau.

HINWEIS: Der Netzschalter (4) muss sich in der Position „ON“ befinden, um Befehle vom Controller zu empfangen, und sollte auch bei Nichtgebrauch in der Position „ON“ bleiben. Das Panel funktioniert nicht, wenn der Netzschalter auf „OFF“ steht. Falls ein Panel bei Bedarf nicht heizt, überprüfen Sie zunächst, ob der Netzschalter (4) auf ON steht. Die Heizung soll über den Herschel XLS-Regler ein- und ausgeschaltet werden, wobei der Netzschalter (4) nur als Übersteuerung dient.

Werkseinstellungen zurücksetzen

Setzen Sie den Empfänger auf die Werkseinstellungen zurück, indem Sie die Taste „P“ lange gedrückt halten. Die LED für den Pairing-Status leuchtet weiß.

Reinigung und Wartung



Allgemeines

Bitte beachten Sie, dass sich die Heizung bei Gebrauch verfärben kann – dies wird durch Luftverschmutzung verursacht und ist kein Defekt.

Der Heizkörper ist für eine lange Lebensdauer ausgelegt und verfügt über mehrere Sicherheitsmerkmale. Wenn der Heizkörper jedoch nicht gemäß diesen Anweisungen verwendet oder installiert wurde, Geräusche oder Gerüche abgibt oder eine schnelle Verfärbung der Oberfläche aufweist, stellen Sie die Verwendung des Heizkörpers ein und wenden Sie sich an den Herschel-Kundendienst oder Ihren Herschel-Händler vor Ort.

Das Herschel-Panel darf nur im kalten Zustand installiert, deinstalliert, gereinigt oder transportiert werden.



Lackieren

Die Select XLS LED-Panels können mit einer geeigneten hitzebeständigen Farbe lackiert werden, um sie an die Einrichtung anzupassen. Herschel übernimmt jedoch keine Verantwortung, wenn sich die Farbe verschlechtert oder verfärbt. Das Recht, den Heizkörper innerhalb der gesetzlichen Fristen gegen Erstattung des Kaufpreises zurückzugeben, erlischt, wenn der Heizkörper lackiert wurde. Das Lackieren des Panels hat keinen Einfluss auf Ihre Garantie für Reparatur oder Ersatz.



Reinigung

Bevor Sie mit der Reinigung des Panels beginnen, ziehen Sie den Stecker des Heizgeräts, trennen Sie das Gerät vom Stromnetz und lassen Sie es vollständig abkühlen.

Tauchen Sie das Herschel-Panelheizgerät NICHT in Wasser und spritzen Sie kein Wasser darauf.

Reinigen Sie den Heizkörper mit einem feuchten Tuch. Für Glasmodelle kann Glasreiniger verwendet werden. Verwenden Sie niemals ein nasses Tuch. Trocknen Sie die Oberflächen nach der Reinigung mit einem trockenen Tuch.

Verwenden Sie KEINE scheuernden Materialien, Lösungsmittel oder Lösungsmitteltücher auf der Oberfläche, da dies zu irreparablen Schäden führen kann. Warten Sie, bis das Gerät vollständig trocken ist, bevor Sie es verwenden.



Reparatur

Versuchen Sie NICHT, elektrische oder mechanische Funktionen dieses Geräts zu reparieren oder einzustellen, da dies zum Erlöschen Ihrer Garantie führt. Reparaturen dürfen nur von Herschel oder einem autorisierten Herschel-Servicepartner durchgeführt werden.



Entsorgung

Der Heizkörper ist ein Elektrogerät und darf nicht im Hausmüll entsorgt werden. Ein hoher Prozentsatz des Heizkörpers kann recycelt werden. Bitte behandeln Sie ihn als Elektroschrott und recyceln Sie ihn gemäß den örtlichen Vorschriften.



Das Beste aus Ihrem Herschel-Heizgerät herausholen – die besten Tipps



Energie sparen

Die meisten Menschen fühlen sich in Wohnräumen mit einer Temperatur von etwa 19 °C und Infrarotheizung wohl, aber das ist von Person zu Person unterschiedlich. Nehmen Sie sich Zeit, um zu experimentieren und sich an Ihr System und die Temperaturen zu gewöhnen, mit denen Sie zufrieden sind. Je niedriger Sie Ihren Thermostat einstellen, desto weniger Strom verbrauchen Sie.

Heizen Sie nur die Räume, die Sie nutzen. Nicht genutzte Räume können auf viel niedrigere Temperaturen geheizt und bei Bedarf aufgewärmt werden, wenn sie genutzt werden.

Wohnbereiche wie Wohnzimmer und Küche sollten anders beheizt werden als Schlafzimmer und Badezimmer. Wohnbereiche eignen sich für einen konstanteren Heizplan. Schlafzimmer sollten in der Regel schnell aufgeheizt werden und tagsüber wieder abkühlen. Stellen Sie Ihre Regler entsprechend Ihrem Lebensstil ein und nutzen Sie die 7-Tage-Programmfunktion optimal – möglicherweise haben Sie an Wochentagen andere Heizungsanforderungen und -zeiten als am Wochenende.



Überheizen Sie Ihren Raum nicht und geben Sie dem System Zeit, seine Wirkung zu entfalten.

Infrarotheizungen fühlen sich anders an, da sie den Raum selbst erwärmen und nicht nur die Luft. Dadurch fühlen Sie sich schneller wohl als bei herkömmlichen Heizungen, die nur die Luft erwärmen – und der Raum bleibt länger warm.

Sobald der Raum seine Komforttemperatur erreicht hat, läuft die Heizung in kurzen Nachheizzyklen, die deutlich weniger Energie verbrauchen als konvektionsbasierte Heizungen, und die Absenckphasen verbrauchen nur sehr wenig Energie.

Für eine optimale Effizienz stellen Sie die gewünschte Temperatur ein und überlassen Sie der Heizung den Rest. Sie müssen die Heizung nicht höher einstellen, um den Raum schneller aufzuwärmen.



Geben Sie Ihre Heizungsanforderungen nicht zu niedrig an.

Herschel ist eine energiesparende Heizung, aber sie ist kein Zaubermittel. Wenn Sie versuchen, einen Raum mit einer zu kleinen Heizung zu beheizen, frieren Sie am Ende nur und verschwenden Energie und Geld. Stellen Sie sicher, dass Sie die richtige Heizungsgröße für den Raum haben. Wenn Sie Zweifel haben, besuchen Sie die Website, wenden Sie sich an Ihren Händler vor Ort oder kontaktieren Sie uns.



Werden Sie CO₂-neutral

Wenn Sie dies noch nicht getan haben, wechseln Sie zu einem Energieversorger, der zu 100 % erneuerbare Energien anbietet. Dies ist wahrscheinlich die einfachste und schnellste Maßnahme, die Sie ergreifen können, um Ihre CO₂-Emissionen zu reduzieren.



Und zu guter Letzt... erzählen Sie es Ihren Freunden

Sie werden sich bald fragen, wie das Leben in den schlechten alten Zeiten vor Ihren Herschel-Heizgeräten war. Behalten Sie es nicht für sich! Teilen Sie Ihre Fotos und verbreiten Sie die Nachricht in den sozialen Medien, um anderen zu helfen, sich von ihren fossilen Brennstoffen basierenden und ineffizienten Heizsystemen zu verabschieden!

5 Jahre Garantie

Registrieren Sie Ihr Produkt hier

<https://www.herschel-infrarotheizung.de/kundendienst/garantieregistrierung/>.

Innerhalb von fünf Jahren ab Kaufdatum repariert oder ersetzt Herschel das Heizgerät, wenn der Defekt auf Material- oder Verarbeitungsfehler zurückzuführen ist. Diese Garantie gilt nur für den normalen Hausgebrauch und schließt gewerbliche Nutzung aus. Im Falle eines Garantieanspruchs besuchen Sie bitte den Kundenservice-Bereich der Herschel-Website und befolgen Sie das Verfahren zur Geltendmachung von Garantieansprüchen. Sie benötigen einen Kaufbeleg und Fotos des Heizgeräts.

Voraussetzung für die Gültigkeit der Garantie ist die Verwendung des Heizgeräts mit der angegebenen Versorgungsspannung und gemäß den in diesem Handbuch angegebenen Bedingungen. Weitere Garantien oder Ansprüche sind ausgeschlossen.

Die Garantie umfasst nur die Reparatur oder den Austausch des defekten Produkts. Herschel übernimmt keine Haftung für Installationskosten oder Folgeschäden, unabhängig davon, wie diese entstanden sind. Die Entscheidung über Reparatur oder Austausch liegt ausschließlich bei Herschel. Ein Ersatzgerät entspricht in seinen Spezifikationen so weit wie möglich dem defekten Heizgerät.

Durch Entfernen der Seriennummer erlischt die Garantie. Die Garantie erlischt ebenfalls, wenn das Heizgerät in irgendeiner Weise manipuliert oder geöffnet wurde.

Das Produkt-Leistungsetikett muss auf den Platten verbleiben, wo es nach der Installation bei Bedarf zugänglich ist.

Herschel Infrared Ltd übernimmt keine Verantwortung für Kratzer auf der Oberfläche oder den Rahmen nach dem ersten Gebrauch.

Haftungsausschluss

Herschel Infrared Ltd übernimmt keine Haftung für Schäden, Verluste oder Verletzungen, die durch eindringendes Wasser oder Feuchtigkeit, versehentliche Beschädigung, unsachgemäße Behandlung, äußere Einwirkung, Bedienung durch nicht autorisiertes Personal oder Nichtbeachtung der in der Bedienungsanleitung beschriebenen Wartungs- und Sicherheitsvorkehrungen verursacht werden. Die vollständigen Garantiebedingungen von Herschel Infrared Ltd finden Sie hier <https://www.herschel-infrared.com>.

Einhaltung der Ökodesign-Richtlinie 2024/1103/EG

Alle Herschel Select XLS LED-Heizgeräte bieten in Verbindung mit Herschel SmartLED-Controllern erstklassige Leistung und übertreffen die Anforderungen der Ökodesign-Richtlinie (EU) 2024/1103. Herschel übernimmt keine Haftung für Verstöße gegen die geltenden Bestimmungen, wenn das Herschel Select XLS LED-Heizgerät ohne den entsprechenden Herschel-Controller verwendet wird.

Informationen zum ECODESIGN für Herschel Select XLS LED-Heizgeräte in Verbindung mit SmartLED-Steuerungen

Bei Installation als fest installierte elektrische Raumheizung

Gilt für ALLE in dieser Anleitung beschriebenen Modelle.

Erforderlicher saisonaler Wirkungsgrad = 47,5 %

Tatsächlicher saisonaler Wirkungsgrad = 51,58 %

Alle Herschel Select XLS LED-Panels bieten in Kombination mit Herschel SmartLED-Steuerungen höchste Leistung.

Technische Details

Nennwärmeleistung (P_{nom}) = Nennleistung des Heizgeräts (siehe Produktetikett)

Maximale Dauerwärmeleistung ($P_{max,c}$) = Nennleistung des Heizgeräts (siehe Produktetikett)

Qualifizierende Korrekturfaktoren

Elektronische Raumtemperaturregelung mit Wochentimer

Fenster-offen-Erkennung

Adaptiver Start

Fernsteuerung

Regelgenauigkeit < 2 °C

BELANGRIJKE

VEILIGHEIDSMATREGELEN

Het niet naleven van deze instructies maakt de garantie ongeldig. Niet demonteren.
Er zitten geen door de gebruiker te onderhouden onderdelen in.

WAARSCHUING

OM HET RISICO OP BRAND, ELEKTRISCHE SCHOK OF LETSEL TE VERMINDEREN

Moet dit apparaat tijdens installatie, onderhoud of vervanging losgekoppeld zijn van de stroombron.

De Select XLS LED-verwarming is uitgerust met een ontvanger (aan de achterkant van het paneel). Deze moet worden gekoppeld aan een Herschel SmartLED-controller (apart verkrijgbaar) om de kamertemperatuur en de verlichting in de verwarming te regelen.

Deze verwarmingen werken alleen met een SmartLED-controller. NIET gebruiken voor kamerverwarming wanneer er mensen aanwezig zijn die de kamer niet zelfstandig kunnen verlaten, tenzij onder constant toezicht. Herschel is niet verantwoordelijk voor overtredingen van EcoDesign of veiligheidswetgeving wanneer de verwarmingen worden gebruikt in een afgesloten ruimte zonder toegang tot een Herschel SmartLED-controller.

De Select XLS LED-verwarming heeft interne thermische veiligheidssensoren. Om oververhitting en mogelijk brandgevaar te voorkomen, mag u de verwarming echter in geen geval afdekken. Plaats de verwarming NIET binnen 0,3 m van brandbare materialen (bijv. meubels, gordijnen).

Raak de heater NIET aan tijdens gebruik. Herschel paneelheaters hebben een oppervlaktetemperatuur van ongeveer 95 °C / 248 °F (afhankelijk van de ingangsspanning) en langdurig contact met de heater kan brandwonden en letsel veroorzaken.

Gebruik de heater NIET als het snoer beschadigd is, na een storing, of als het is gevallen of op enigerlei wijze beschadigd is. Controleer elke heater op schade vóór installatie. Zorg ervoor dat de heater zelf, de stekker (indien van toepassing) en het snoer geen zichtbare schade vertonen. Als het snoer beschadigd is, moet het apparaat ter reparatie worden teruggebracht naar een erkende Herschel-dealer.

Deze heater mag alleen worden gebruikt voor het verwarmen van personen of gebouwen. De heater mag niet worden gebruikt door kinderen of personen met verminderde fysieke, sensorische of mentale capaciteiten, of die geen ervaring of kennis hebben. Houd kinderen uit de buurt en laat ze niet zonder toezicht in de buurt van het apparaat achter. NIET buitenshuis gebruiken.

Gebruikers mogen het apparaat alleen in- en uitschakelen als het correct is geplaatst of geïnstalleerd volgens deze instructies. Kinderen mogen het apparaat niet aansluiten, inschakelen, afstellen of er onderhoud aan plegen (inclusief reiniging). Herschel-panelen zijn ontworpen voor gebruik met een wisselspanning tussen 220-240 volt, 50 Hz wisselspanning. Als uw netspanning hoger is dan 240 volt, gebruik de verwarming dan niet en neem contact op met uw lokale dealer. Het niet naleven van deze instructie maakt de garantie ongeldig.

De verwarming moet op een onbrandbaar oppervlak worden gemonteerd.

WATERDICHTHEID IP44

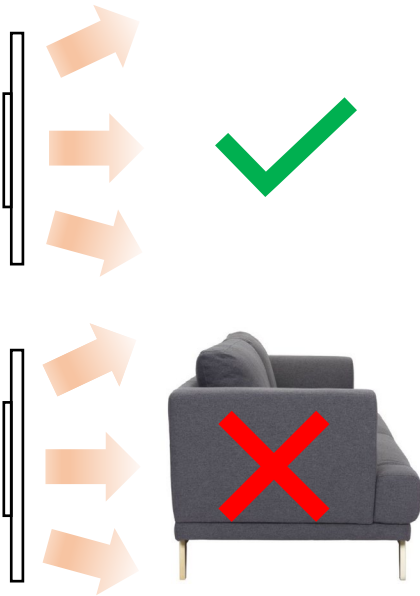
Herschel Select XLS LED-verwarmingspanelen voldoen aan een norm (minimaal IP44) waardoor ze geschikt zijn voor plaatsing in zone 2 van een badkamer. Dit betekent dat ze boven een wastafel of buiten spatzones kunnen worden geplaatst, of aan het plafond kunnen worden gemonteerd. Ze kunnen niet in zone 0 of 1 worden geïnstalleerd. Installatie in potentieel natte of vochtige ruimtes, zoals badkamers, moet echter worden uitgevoerd door een gekwalificeerde installateur en voldoen aan de lokale elektrische veiligheidseisen. De installatie moet zodanig zijn dat de verwarming niet los kan raken van de fittingen en in een badkuip, douche, zwembad of ander waterreservoir kan vallen, en dat schakelaars en andere bedieningselementen niet kunnen worden aangeraakt door iemand in bad of douche. Installeer de verwarming niet in geval van twijfel. Herschel Infrared Ltd is niet aansprakelijk voor verlies, schade of letsel veroorzaakt door of voortvloeiend uit een onjuiste montage of onjuiste plaatsing van de verwarming in de buurt van waterbronnen.

NEDERLANDS



Bedankt voor de aankoop van een Herschel Select XLS LED-infraroodverwarming. Dankzij de allernieuwste technologie op het gebied van bediening met Herschels SmartLED-bedieningssysteem, een eenvoudig montagesysteem en een slank, frameeloos ontwerp, geniet u jarenlang van energiezuinige, slimme en comfortabele verwarming. We hebben geprobeerd de installatie en het gebruik van uw verwarming zo eenvoudig mogelijk te maken. Lees deze instructies volledig door en bewaar ze voor toekomstig gebruik. Heeft u vragen? Onze website bevat ook veel veelgestelde vragen, of u kunt ons bellen, een bericht sturen of online chatten. We helpen u graag om ervoor te zorgen dat u optimaal profiteert van uw nieuwe Herschel-verwarmingssysteem.

Positionering



Dit is een infraroodpaneelverwarming. Deze verwarmt door energie rechtstreeks van de verwarming over te brengen naar de kamer en de inhoud ervan. Plaats de verwarming op een plek waar deze niet direct wordt geblokkeerd door objecten zoals meubels of waar deze niet effectief kan uitstralen, zoals aan de rand of in de hoeken van een kamer. Grote objecten die voor de verwarming worden geplaatst, warmen op en kunnen een effectieve warmteverspreiding in de kamer verhinderen. Plaats de verwarming indien mogelijk niet tegenover ramen, open deuropeningen of achter meubels.

Het paneel aan het plafond monteren zorgt over het algemeen voor de beste warmteverspreiding in de kamer en houdt muurruimte vrij.

Afhankelijk van de grootte van de verwarming kunt u de zachte warmte van de verwarming waarschijnlijk tot ongeveer 3 meter afstand voelen, maar blijft deze warmte uitstralen. Houd bij het kiezen van een montagepositie rekening met of u de warmte direct wilt voelen (bijvoorbeeld boven een bank) of niet. Hoe dichter u bij de verwarming bent, hoe groter de intensiteit van de warmte die u zult voelen. Dit hangt meestal af van uw persoonlijke voorkeur.

De infraroodwarmte verspreidt zich op dezelfde manier als het licht van een ledpaneel. Als u meerdere panelen in één kamer installeert, probeer u dan voor te stellen dat elk paneel een lamp is en bedenk hoe licht de kamer zou "verlichten" – uw verwarming verwarmt de kamer op een vergelijkbare manier.

LET OP bij het plaatsen:

Houd de verwarming minimaal 200 mm vrij van hoeken van muren en plafonds of van andere objecten op muren of plafonds.

Houd de verwarming minimaal 400 mm vrij van een aangrenzende verwarming.

Verwarmers kunnen in een plafond worden ingebouwd, maar MOETEN in elke richting minimaal 800 mm vrij zijn van een aangrenzende verwarming. Bovendien MOETEN alle gipsplaten of andere structuren die de uitsparing vormen, 200 mm vrij zijn van alle zijden van de verwarming.

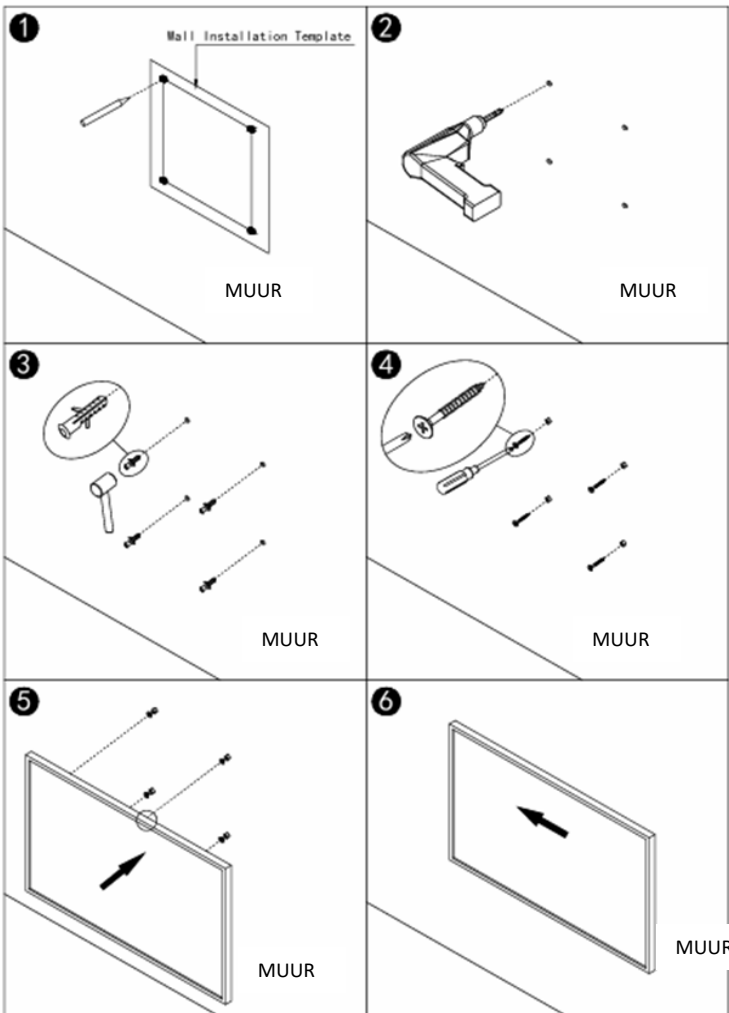
Het niet in acht nemen van bovenstaande afstanden leidt tot overmatige warmteophoping achter de verwarming en maakt de garantie ongeldig.

NEDERLANDS

Vaste wandmontage – professionele installatie vereist

De Select XLS LED-verwarming wordt geleverd zonder stekker en is bedoeld voor permanente aansluiting op de vaste bedrading van het gebouw via een gezekerde aftakking, niet dichterbij dan 200 mm van de verwarming. De verwarming MAG NIET direct onder de elektrische aansluitingen worden gemonteerd. De verwarming kan zowel liggend als staand worden gemonteerd, met de ontvanger aan de onderkant. Let op bij het boren van gaten voor het montagesysteem dat er geen elektrische kabels in de buurt komen.

De meegeleverde pluggen zijn ontworpen voor gebruik op een harde ondergrond. Bij montage op gipsplaat of een ander oppervlak moeten geschikte bevestigingsmiddelen worden aangeschaft die geschikt zijn voor het montageoppervlak en het gewicht van het paneel.



Stap 1: Gebruik de meegeleverde mal om de positie van de bevestigingsschroeven op de muur te markeren.

Stap 2: Boor de gaten met een 8 mm boor.

Stap 3: Plaats de meegeleverde pluggen.

Stap 4: Draai de meegeleverde schroeven in de pluggen en laat de kop en ongeveer 2 mm van de schacht vrij (zodat de heater erop kan worden gemonteerd).

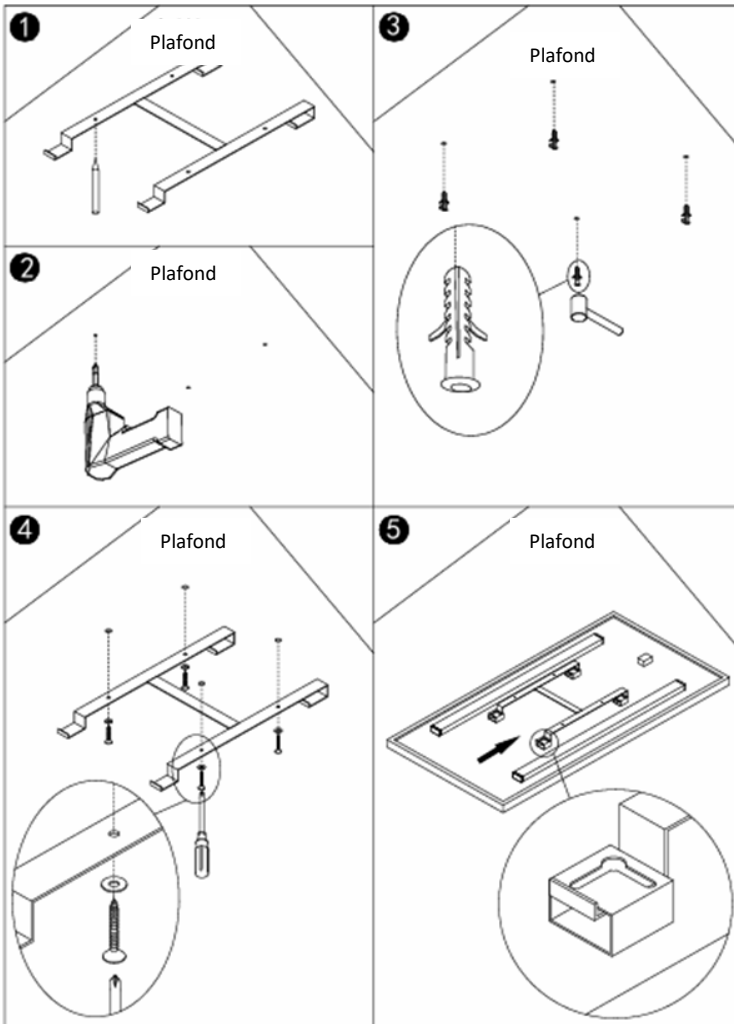
Stap 5: Plaats de achterste beugels op de zichtbare schroefkoppen.

Stap 6: Schuif de heater naar links of rechts totdat deze vastzit.

Plafondmontage. Professionele installatie vereist.

De Select XLS LED-verwarming wordt geleverd zonder stekker en is bedoeld voor permanente aansluiting op de vaste bedrading van het gebouw. Elektrische aansluitingen kunnen worden gemaakt in de ruimte tussen de gipsplaat en het plafond, maar buiten de ruimte van de verwarming. De verwarming MAG NIET direct onder de elektrische aansluitingen worden gemonteerd. Let op bij het boren van gaten voor het montagesysteem dat er geen elektrische kabels in de buurt zijn.

De meegeleverde pluggen zijn ontworpen voor gebruik op een harde ondergrond. Bij montage op gipsplaat of een ander oppervlak moeten geschikte bevestigingsmiddelen worden aangeschaft die geschikt zijn voor het montageoppervlak en het gewicht van het paneel.



Stap 1: Gebruik de meegeleverde H-vormige beugel om de positie van de bevestigingsschroeven op het plafond te markeren.

Stap 2: Boor de gaten met een 8 mm boor.

Stap 3: Plaats de meegeleverde pluggen.

Stap 4: Schroef de meegeleverde schroeven door de H-vormige beugel in de pluggen en bevestig ze aan het plafond.

Stap 5: Schuif de achterste beugels van de heater op de H-vormige beugel en zorg ervoor dat deze goed vastzit en niet kan bewegen.

Voorzorgsmaatregelen bij installatie** WAARSCHUWING**

De bedrading naar dit apparaat moet worden aangesloten volgens de relevante nationale elektrische veiligheidsnormen. Het is een apparaat van klasse 1 en moet geaard zijn. Bij plaatsing in openbare ruimtes moet de installatie voldoen aan de relevante lokale elektrische normen.

Voor bepaalde openbare gebouwen, zoals scholen en verzorgingshuizen, moeten de verwarmingstoestellen worden geïnstalleerd volgens de specifieke wetgeving voor dit type gebouwen. De elektrische voeding van elk verwarmingstoestel moet worden verzorgd door aansluiting op een circuit dat is beveiligd met een zekering of aardlekschakelaar (RCD) die geschikt is voor de elektrische specificaties van het apparaat. Kleurcodering van de meegeleverde netkabel: De bruine draad moet worden aangesloten op de fase ('L'), de blauwe draad op de nul ('N') en de groen/gele draad op de aarde ('E').

 VOORZICHTIG

Zorg ervoor dat de netspanning is uitgeschakeld voordat u begint met een installatie met vaste bedrading. Alle vaste bedrading buiten de heater die in contact komt met of zich dicht bij de heater bevindt, moet worden beschermd met een ommanteling met een temperatuurbereik van ten minste 90°C.

Alle bekabeling achter het apparaat moet de kortste route naar de rand van de heater volgen. Zorg ervoor dat de stroomkabel niet opgerold is. Kort de stroomkabel indien mogelijk in en plaats overtollige kabel niet aan de achterkant van de heater. Elektrische aansluitingen mogen normaal gesproken niet achter het verwarmingspaneel worden gemaakt, tenzij deze professioneel zijn geïnstalleerd met behulp van behuizingen die voorzien zijn van de juiste thermische beveiliging en voldoen aan de normen en voorschriften van de lokale autoriteiten voor elektrische installaties.

De heater mag niet direct onder een stopcontact worden geplaatst, noch aan de wand noch aan het plafond.

Boor **NIET** door de heater heen, aangezien dit onherstelbare schade veroorzaakt en bovendien gevaarlijk is.

Sluit een beschadigde heater NIET aan op het elektriciteitsnet. Gebruik voor de montage van het Herschel-paneel uitsluitend het meegeleverde bevestigingsmateriaal en installeer het volgens de installatiehandleiding.

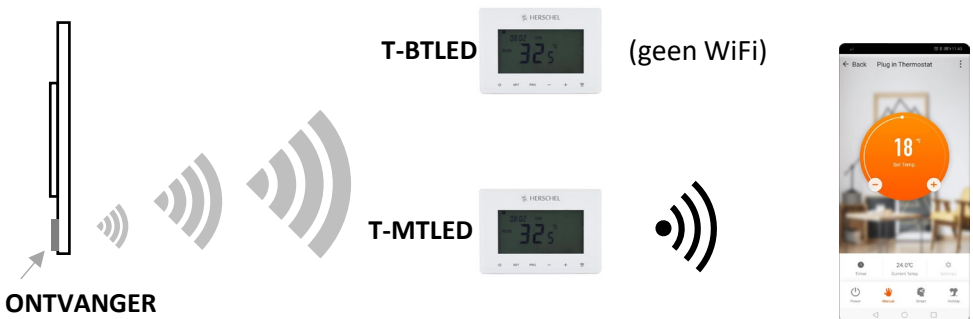
Bediening – gebruik met XLS SmartLED-bedieningen

Alle Herschel Select XLS LED-verwarmingselementen zijn uitgerust met een ontvanger aan de achterkant van het achterpaneel. De ontvanger maakt draadloos (via RF) verbinding met de SmartLED-thermostaatregelaars van Herschel. De **T-BTLED** is een thermostaat op batterijen. Bediening via wifi en app is niet mogelijk met de **T-BTLED**.

Kies voor nieuwbouw en renovaties de bedrade **T-MTLED**-thermostaat op netvoeding met wifi-functionaliteit.

Na koppeling met de verwarming stuurt de regelaar opdrachten om de verwarming in of uit te schakelen op basis van de kamertemperatuur, het programma en uw achtergrondverlichtingsvereisten.

Volg de koppelingsinstructies nauwgezet. Online hulp is ook beschikbaar via de Help & Support-sectie van uw lokale Herschel-website.



Het paneel koppelen aan een SmartLED-controller

Zoek de ontvanger aan de achterkant van het paneel.

De ontvanger heeft een aan/uit-schakelaar en er zijn indicatoren die aangeven of het paneel is gekoppeld aan een controller en of de verwarming aan of uit staat.

De heater moet worden gekoppeld aan een Herschel SmartLED-controller (apart verkrijgbaar). Na koppeling ontvangt de heater aan/uit-commando's van de controller.

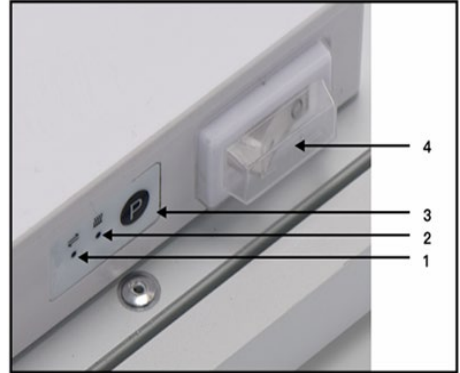
BELANGRIJK: Het paneel zelf heeft geen ingebouwde temperatuursensor. Efficiënt gebruik van de heater is alleen mogelijk door deze te koppelen aan een SmartLED-controller. De ontvanger op het Select XLS LED-paneel kan alleen worden gekoppeld aan een SmartLED-controller. Andere controllers bedienen de heater en de achtergrondverlichting niet.

De SmartLED-controllers kunnen worden gekoppeld aan één of meerdere verwarmingspanelen en deze bedienen. De temperatuur van de kamer wordt gemeten door de SmartLED-controller. Het is gebruikelijk om één controller per kamer te gebruiken, maar als het een grote kamer is (zoals een open ruimte), kunt u overwegen om meer dan één thermostaatcontroller te gebruiken. Als er meerdere verwarmingspanelen per kamer zijn, koppelt u elk paneel aan de betreffende kamercontroller.

Het paneel koppelen aan een SmartLED-controller

Ontvangerfuncties aan de achterkant van het paneel zijn:

- 1 LED voor koppelingsstatus**
De statuskleuren zijn als volgt:
Wit – De heater is niet gekoppeld
Blauw – De heater is gekoppeld aan één hoofdbediening
- 2 LED voor verwarmingsstatus (rood)**
- 3 Knop 'Koppelen'**
- 4 Aan/uit-schakelaar**



We raden aan om de verwarming tijdelijk op het netnet aan te sluiten en de ontvanger te koppelen aan je SmartLED-controller voordat je het paneel in de uiteindelijke positie monteert.

Koppelen

Stap 1

Schakel uw heater in met schakelaar (4). Controleer of de led voor de koppelingsstatus wit is. Druk tweemaal op de knop "Koppelen" (3). De led voor de koppelingsstatus (1) begint te knipperen.

Stap 2

Schakel uw XLS SmartLED-controller uit. Houd de SET-knop lang ingedrukt totdat "PAIR" op het scherm verschijnt.

Stap 3

De led voor de koppelingsstatus (1) op de ontvanger van het paneel stopt met knipperen wanneer de koppeling is voltooid en brandt nu continu blauw.

LET OP: De aan/uit-schakelaar (4) moet in de AAN-stand staan om opdrachten van de controller te ontvangen en moet in de AAN-stand blijven staan, zelfs wanneer het paneel niet in gebruik is. Het paneel werkt niet als de aan/uit-schakelaar uit staat. Als een paneel niet verwarmt wanneer dat nodig is, controleer dan eerst of de aan/uit-schakelaar (4) in de AAN-stand staat. De heater is bedoeld om in of uit te schakelen via de Herschel XLS-controller, waarbij de aan/uit-schakelaar (4) alleen een override is.

Fabrieksinstellingen herstellen

Reset de ontvanger naar de fabrieksinstellingen door lang op de "P"-knop te drukken. De led voor de koppelingsstatus wordt wit.

Reiniging en onderhoud

Algemeen



Houd er rekening mee dat de heater tijdens gebruik kan verkleuren. Dit wordt veroorzaakt door luchtvervuiling en is geen defect.

De heater is ontworpen om jarenlang mee te gaan en is voorzien van diverse veiligheidsvoorzieningen. Als de heater echter niet volgens deze instructies is gebruikt of geïnstalleerd, lawaai maakt, een onaangename geur afgeeft of een snelle verkleuring van het oppervlak vertoont, stop dan met het gebruik van de heater en neem contact op met de klantenservice van Herschel of uw lokale Herschel-dealer.

Het Herschel-paneel mag alleen worden geïnstalleerd, verwijderd, gereinigd of vervoerd als het koud is.

Verven



De Select XLS LED-panelen kunnen worden geverfd met een geschikte hittebestendige verf om ze aan te passen aan uw interieur. Herschel is echter niet aansprakelijk voor verslechtering of verkleuring van de verf. Het recht om de heater binnen de wettelijke termijn te retourneren en uw geld terug te krijgen, vervalt indien de heater is geverfd. Het verven van het paneel heeft geen invloed op uw garantie voor reparatie of vervanging.

Reiniging



Voordat u het paneel reinigt, dient u de heater los te koppelen van de stroomtoevoer, het apparaat los te koppelen van de netvoeding en volledig te laten afkoelen.

Dompel de Herschel paneelheater NIET onder in water en spat er geen water op.

Reinig de heater met een vochtige doek. Voor glazen modellen kunt u glasreiniger gebruiken. Gebruik nooit een natte doek. Droog de oppervlakken na het reinigen af met een droge doek.

Breng GEEN schuurmiddelen, oplosmiddelen of doekjes met oplosmiddelen aan op het oppervlak, aangezien dit onherstelbare schade kan veroorzaken. Wacht tot het apparaat volledig droog is voordat u het gebruikt.



Reparati

Probeer NIET om elektrische of mechanische functies van dit apparaat te repareren of aan te passen. Dit maakt uw garantie ongeldig. Reparaties mogen alleen worden uitgevoerd door Herschel of een erkende Herschel servicepartner.



Afvalverwerking

De heater is een elektrisch product en mag niet bij het huisvuil worden gegooid. Een groot deel van de heater kan worden gerecycled. Behandel deze als elektrisch afval en recycle deze volgens de lokale regelgeving.



Haal het meeste uit uw Herschel verwarming – beste tips**Energie besparen**

De meeste mensen voelen zich prettig in woonruimtes met een temperatuur van rond de 19 °C met infrarood, maar dit verschilt per persoon. Neem de tijd om te experimenteren en te wennen aan uw systeem en de temperaturen die u prettig vindt. Hoe lager u uw thermostaat instelt, hoe minder elektriciteit u verbruikt.

Verwarm alleen de kamers die u gebruikt. Logeerkamers kunnen veel lager worden verwarmd en extra worden verwarmd wanneer er mensen aanwezig zijn.

Woonruimtes zoals de woonkamer en keuken moeten anders worden verwarmd dan slaapkamers en badkamers. Woonruimtes zijn geschikt voor een constanter verwarmingsschema. Slaapkamers kunnen meestal beter snel worden verwarmd en overdag weer afkoelen. Stel uw regelaars in op uw levensstijl en profiteer optimaal van het 7-dagenprogramma – u kunt doordeweeks andere verwarmingsbehoeften en -tijden hebben dan in het weekend.

**Verwarm je kamer niet te warm en neem de tijd om het systeem te laten werken.**

Infraroodverwarming voelt anders aan omdat het de kamer zelf verwarmt, niet alleen de lucht. Dit zorgt ervoor dat je je sneller comfortabel voelt dan bij traditionele verwarming die alleen de lucht verwarmen - en het helpt de kamer de warmte langer vast te houden.

Zodra de kamer het gewenste comfortniveau heeft bereikt, draait de verwarming in korte bijvulcycli, wat merkbaar minder energie verbruikt dan convectieverwarming. Ook verlagingsperiodes verbruiken zeer weinig energie.

Voor de beste efficiëntie stel je de gewenste temperatuur in en laat je de verwarming de rest regelen. Je hoeft de temperatuur niet hoger te zetten om de kamer sneller op te warmen.

**Stel uw verwarmingsvereisten niet te laag in.**

Herschel biedt energiezuinige verwarming, maar het is geen tovermiddel. Als u een kamer probeert te verwarmen met een te kleine heater, krijgt u het koud en verspilt u energie en geld. Zorg ervoor dat u de juiste heater(s) voor de kamer heeft en raadpleeg bij twijfel de website, uw lokale dealer of neem contact met ons op.

**Word CO2-neutraal**

Als je dat nog niet hebt gedaan, stap dan over van energieleverancier naar een 100% duurzaam tarief. Dit is waarschijnlijk de makkelijkste en snelste manier om je CO2-uitstoot te verminderen.

**En tot slot... vertel het je vrienden**

Je zult je binnenkort afvragen hoe het leven was in de slechte oude tijd voordat je Herschel-heaters had. Houd het niet voor jezelf! Deel je foto's en verspreid het op sociale media om anderen te helpen af te stappen van hun op fossiele brandstoffen gebaseerde en inefficiënte verwarmingssystemen!

5 jaar garantie

Registreer uw product hier <https://www.herschel-infrarood.nl/klantenservice/garantie-registratie/>.

Binnen vijf jaar na aankoopdatum zal Herschel de heater repareren of vervangen indien het defect te wijten is aan materiaal- of fabricagefouten. Deze garantie geldt uitsluitend voor normaal huishoudelijk gebruik en sluit commercieel gebruik uit. In geval van een garantieclaim kunt u terecht bij de klantenservice op de Herschel-website en de garantieclaimprocedure volgen. U heeft een aankoopbewijs en foto's van de heater nodig.

Voorwaarde voor de geldigheid van de garantie is gebruik met de aangegeven voedingsspanning van de heater en gebruik in overeenstemming met de voorwaarden in deze handleiding. Verdere garantie of claims zijn uitgesloten.

De garantie dekt uitsluitend de reparatie of vervanging van het defecte product en Herschel is niet aansprakelijk voor installatiekosten of gevolgschade, ongeacht de oorzaak. De beslissing om te repareren of te vervangen ligt uitsluitend bij Herschel en elke vervanging zal zo dicht mogelijk bij de specificaties van de defecte heater liggen.

Het verwijderen van het serienummer maakt de garantie ongeldig. De garantie vervalt ook als de heater op enigerlei wijze is gemanipuleerd of geopend.

Het productlabel moet op de panelen blijven zitten, zodat ze na installatie indien nodig toegankelijk zijn.

Herschel Infrared Ltd aanvaardt geen verantwoordelijkheid voor krassen op het oppervlak of de frames na het eerste gebruik.

Disclaimer

Herschel Infrared Ltd aanvaardt geen verantwoordelijkheid voor schade, verlies of letsel veroorzaakt door binnendringend water of vocht, onopzettelijke schade, verkeerd gebruik, externe impact, aanpassing door onbevoegd personeel of het niet naleven van de juiste onderhouds- en veiligheidsmaatregelen zoals vermeld in de handleiding. Raadpleeg het garantiebeleid van Herschel Infrared Ltd voor meer informatie. Zie <https://www.herschel-infrarood.nl>.

Naleving van de Ecodesign-richtlijn 2024/1103/EG

Alle Herschel Select XLS LED-stralers leveren in combinatie met Herschel SmartLED-controllers de beste prestaties in hun klasse door de EcoDesign-vereisten (EU) 2024/1103 te overtreffen.

Herschel is niet verantwoordelijk voor enige overtreding van de wetgeving wanneer de Herschel Select XLS LED-straler wordt gebruikt zonder de juiste Herschel-controller.

ECODESIGN-informatie voor Herschel Select XLS LED-verwarming bij gebruik met SmartLED-controllers**Bij installatie als vaste elektrische ruimteverwarming**

Geldt voor ALLE modellen die in deze instructies worden behandeld.

Vereiste seizoensgebonden ruimte-efficiëntie = 47,5%

Werkelijke seizoensgebonden ruimte-efficiëntie = 51,58%

Alle Herschel Select XLS LED-panelen zijn "best in class" bij gebruik met Herschel SmartLED-bediening.

Technische details

Nominale warmteafgifte (P_{nom}) = Nominaal vermogen van de verwarming (zie productetiket)

Maximale continue warmteafgifte ($P_{max,c}$) = Nominaal vermogen van de verwarming (zie productetiket)

Kwalificerende correctiefactoren

Elektronische kamertemperatuurregeling plus weektimer

Open raamdetectie

Adaptieve start

Afstandsregeling

Regelnaauwkeurigheid $<2^{\circ}\text{C}$

ITALIANO

IMPORTANTI PRECAUZIONI DI SICUREZZA

La mancata osservanza di queste istruzioni invaliderà la garanzia.
Non smontare. All'interno non sono presenti parti riparabili dall'utente.

AVVERTIMENTO

PER RIDURRE IL RISCHIO DI INCENDIO, SCOSSE ELETTRICHE O LESIONI

Questo apparecchio deve essere scollegato dalla fonte di alimentazione durante le attività di installazione, manutenzione e sostituzione.

Il riscaldatore a Select XLS LED è dotato di un ricevitore (situato sul retro del pannello), che deve essere abbinato a un controller Herschel SmartLED (venduto separatamente) per controllare la temperatura ambiente e l'illuminazione del riscaldatore. Questi riscaldatori funzionano solo con un controller SmartLED.

NON utilizzare per il riscaldamento di ambienti occupati da persone incapaci di uscire autonomamente, a meno che non sia garantita una supervisione costante. Herschel non è responsabile per eventuali violazioni delle normative in materia di EcoDesign o Sicurezza nel caso in cui i riscaldatori vengano utilizzati in uno spazio chiuso senza accesso a un controller Herschel SmartLED.

Il riscaldatore a Select XLS LED è dotato di sensori di sicurezza termici interni. Tuttavia, per evitare surriscaldamenti e potenziali rischi di incendio, **NON** coprire il riscaldatore in nessuna circostanza. **NON** posizionare il riscaldatore entro 0,3 m da materiali infiammabili (ad esempio mobili, tende). **NON** toccare il riscaldatore durante l'uso. I riscaldatori a pannello Herschel hanno una temperatura superficiale di circa 95 °C / 248 °F (a seconda della tensione di ingresso) e il contatto prolungato con il riscaldatore può causare ustioni e lesioni.

NON utilizzare il riscaldatore se il cavo è danneggiato o dopo un malfunzionamento del riscaldatore, o se è caduto o è stato danneggiato in qualsiasi modo. Controllare ogni riscaldatore per eventuali danni prima dell'installazione. Assicurarsi che il riscaldatore stesso, la spina (se presente) e il cavo siano privi di segni visibili di danneggiamento. Se il cavo è danneggiato, l'apparecchio deve essere inviato per la riparazione a un rivenditore Herschel autorizzato.

Questo riscaldatore deve essere utilizzato esclusivamente per il riscaldamento di persone o edifici. Il riscaldatore non deve essere utilizzato da bambini o persone con ridotte capacità fisiche, sensoriali o mentali, o prive di esperienza o conoscenza. I bambini devono essere tenuti lontani e non devono essere lasciati incustoditi nei pressi dell'unità. **NON** utilizzare all'aperto.

Tutti gli operatori devono accendere/spengere l'apparecchio solo se è stato posizionato o installato nella posizione operativa prevista, in conformità con le presenti istruzioni. I bambini non devono collegare, accendere o regolare l'apparecchio né eseguire la manutenzione, inclusa la pulizia.

I pannelli Herschel sono progettati per l'uso con una tensione CA compresa tra 220 e 240 volt, 50 Hz CA. Se la tensione di alimentazione supera i 240 volt, non utilizzare il riscaldatore e rivolgersi al rivenditore locale. La mancata osservanza di queste istruzioni invaliderà la garanzia.

Il riscaldatore deve essere montato su una superficie non infiammabile.

PROTEZIONE DALL'INGRESSO D'ACQUA IP44

I pannelli riscaldanti a Select XLS LED sono classificati secondo uno standard (minimo IP44) che ne consente l'installazione in zona 2 in un bagno. Ciò significa che possono essere posizionati sopra un lavandino o al di fuori di eventuali zone soggette a schizzi, oppure possono essere installati a soffitto. Non possono essere installati in zona 0 o 1. Tuttavia, l'installazione in ambienti potenzialmente umidi o bagnati, come i bagni, deve essere eseguita da un installatore qualificato e conforme ai requisiti locali di sicurezza elettrica. L'installazione deve essere tale che il riscaldatore non possa staccarsi dai raccordi e cadere in una vasca da bagno, una doccia, una piscina o altri contenitori d'acqua e che interruttori e altri comandi non possano essere toccati da una persona nella vasca o nella doccia.

In caso di dubbio, non installare. Herschel Infrared Ltd non sarà responsabile per eventuali perdite, danni o lesioni causati o derivanti da un'installazione inadeguata o da un posizionamento errato dei riscaldatori in prossimità di fonti d'acqua.

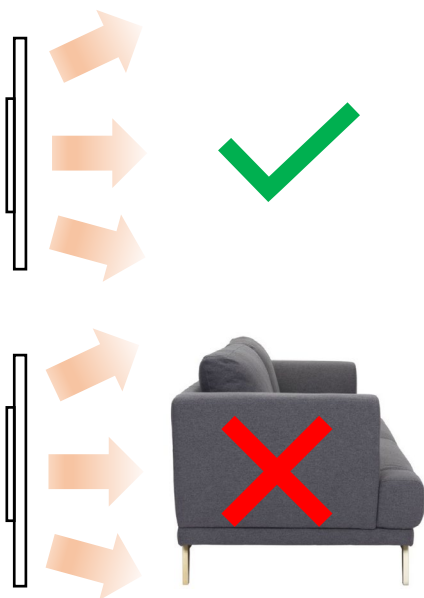


ITALIANO

Grazie per aver acquistato un riscaldatore a infrarossi a Select XLS LED. Grazie al sistema di controllo SmartLED di Herschel, al sistema di montaggio semplice e al design sottile senza cornice, potrai godere per molti anni di un riscaldamento intelligente, confortevole e a basso consumo energetico.

Abbiamo cercato di rendere l'installazione e l'utilizzo del riscaldatore il più semplici possibile. Ti preghiamo di leggere attentamente queste istruzioni e di conservarle per riferimento futuro. Per qualsiasi domanda, il nostro sito web contiene numerose FAQ; puoi anche contattarci telefonicamente, via messaggio o tramite chat online: saremo sempre lieti di aiutarti a ottenere il massimo dal tuo nuovo sistema di riscaldamento Herschel.

Posizionamento



Si tratta di un pannello riscaldante a infrarossi. Riscalda trasferendo energia direttamente dal riscaldatore alla stanza e al suo contenuto. Posizionate il riscaldatore in un punto in cui non sia immediatamente ostruito da oggetti come i mobili o dove non possa irradiare efficacemente, come sul bordo o negli angoli di una stanza. Oggetti di grandi dimensioni posizionati davanti al riscaldatore si riscaldano e possono impedire un'efficace dispersione del calore nella stanza. Se possibile, evitate di posizionare il riscaldatore di fronte a finestre, porte aperte o dietro i mobili.

Montare il pannello a soffitto garantisce generalmente la migliore dispersione del calore nella stanza e lascia libere le pareti.

A seconda delle dimensioni del riscaldatore, è probabile che possiate percepire il delicato calore del riscaldatore fino a circa 3 m di distanza, ma continuerà a irradiare calore anche oltre. Quando scegliete la posizione di montaggio, considerate se desiderate percepire direttamente il calore (ad esempio sopra un divano) o meno. Più siete vicini al riscaldatore, maggiore sarà l'intensità del calore che percepirete. Questo dipende solitamente dalle preferenze personali.

Il calore infrarosso si disperde allo stesso modo della luce di un pannello LED. Se installate più pannelli in una stanza, immaginate che ogni pannello sia una luce e considerate come la luce "illuminerebbe" la stanza: i vostri riscaldatori riscalderanno la stanza in modo simile.

ATTENZIONE durante il posizionamento:

Tenere il riscaldatore ad almeno 200 mm di distanza dagli angoli di pareti e soffitti o da altri oggetti su pareti o soffitti.

Tenere il riscaldatore ad almeno 400 mm di distanza da un riscaldatore adiacente.

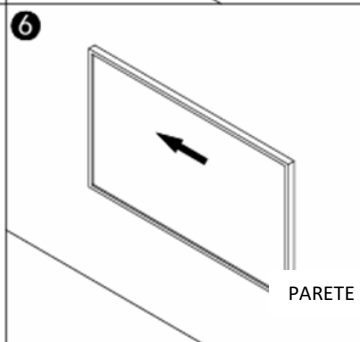
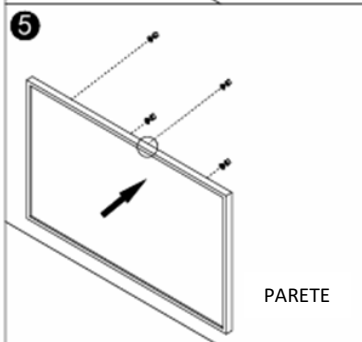
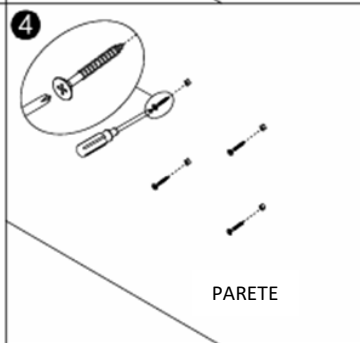
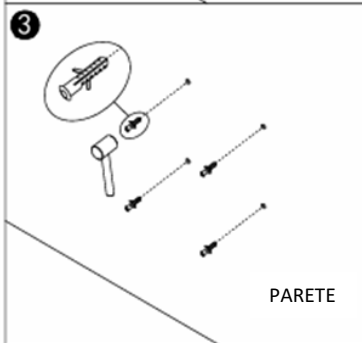
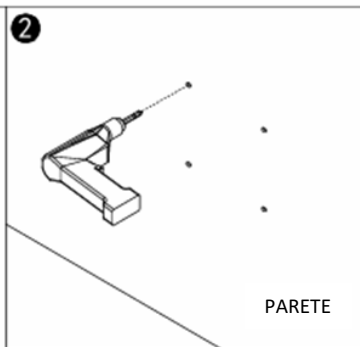
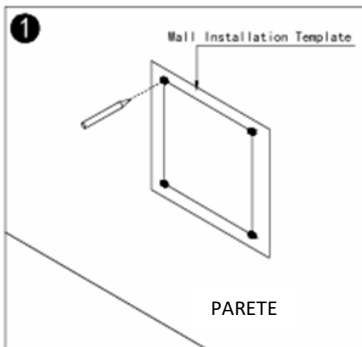
I riscaldatori possono essere incassati nel soffitto, ma DEVONO avere almeno 800 mm di spazio libero in qualsiasi direzione da un riscaldatore adiacente. Inoltre, tutti i pannelli in cartongesso o altre strutture che formano la struttura di incasso DEVONO avere una distanza di 200 mm da tutti i lati del riscaldatore.

Il mancato rispetto di una qualsiasi delle distanze sopra indicate causerà un accumulo di calore eccessivo dietro il riscaldatore e invaliderà la garanzia.

Montaggio a parete fisso: è richiesta l'installazione professionale

Il riscaldatore a Select XLS LED non è dotato di spina ed è progettato per il collegamento permanente all'impianto elettrico fisso dell'edificio tramite una derivazione con fusibile a una distanza non inferiore a 200 mm dal riscaldatore. Il riscaldatore **NON DEVE** essere montato immediatamente sotto i suoi collegamenti elettrici. Il riscaldatore può essere montato sia in posizione orizzontale che verticale con il ricevitore sul bordo inferiore. Prestare attenzione quando si forano i fori per il sistema di montaggio, in modo che non vi siano cavi elettrici.

I tasselli in dotazione sono progettati per l'uso su superfici di montaggio rigide. In caso di montaggio su cartongesso o altre superfici, è necessario acquistare elementi di fissaggio adeguati alla superficie di montaggio e al peso del pannello.



Fase 1: Utilizzare la dima in dotazione per contrassegnare la posizione delle viti di montaggio sulla parete.

Fase 2: Praticare i fori sulla parete con una punta da 8 mm.

Fase 3: Inserire i tasselli in dotazione.

Fase 4: Avvitare le viti in dotazione nei tasselli, lasciando liberi la testa e circa 2 mm di gambo (per consentire il montaggio del riscaldatore).

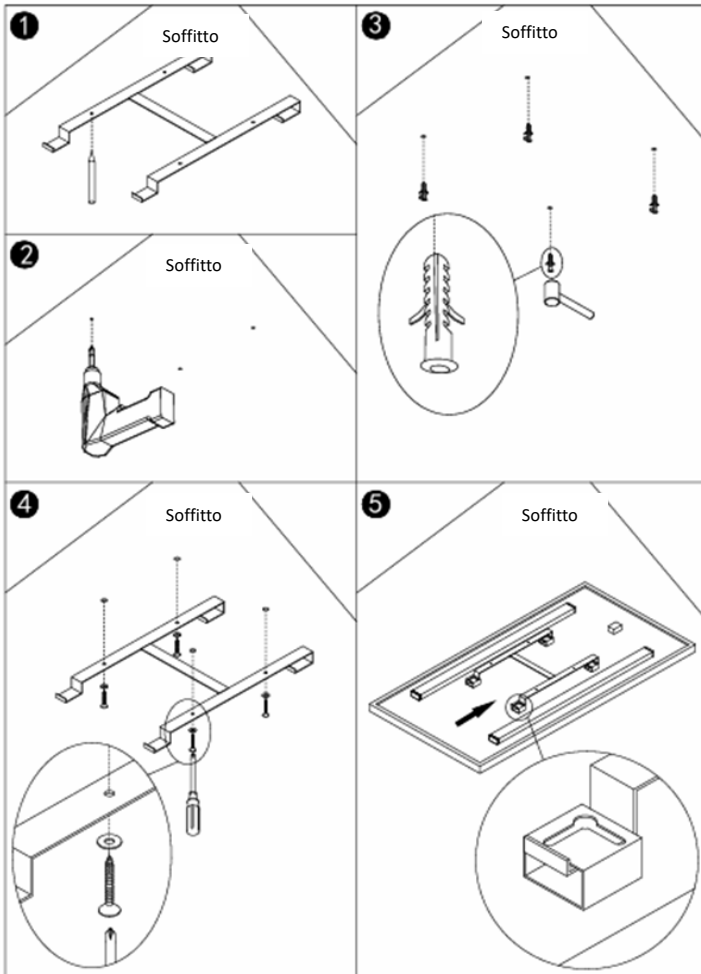
Fase 5: Posizionare le staffe posteriori sulle teste delle viti esposte.

Fase 6: Far scorrere il riscaldatore verso sinistra o verso destra finché non è fissato.

Montaggio a soffitto. Installazione professionale richiesta.

Il riscaldatore a Select XLS LED non è dotato di spina ed è progettato per il collegamento permanente all'impianto elettrico fisso dell'edificio. I collegamenti elettrici possono essere effettuati all'interno del controsoffitto in cartongesso, ma all'esterno dell'ingombro del riscaldatore. Il riscaldatore NON DEVE essere montato immediatamente sotto i suoi collegamenti elettrici. Prestare attenzione quando si forano i fori per il sistema di montaggio, in modo che non vi siano cavi elettrici.

I tasselli in dotazione sono progettati per l'uso su superfici di montaggio rigide. In caso di montaggio su cartongesso o altre superfici, è necessario acquistare elementi di fissaggio adeguati alla superficie di montaggio e al peso del pannello.



Fase 1: Utilizzare la staffa a "H" in dotazione per contrassegnare la posizione delle viti di montaggio sul soffitto.

Fase 2: Praticare i fori con una punta da 8 mm.

Fase 3: Inserire i tasselli in dotazione.

Fase 4: Avvitare le viti in dotazione attraverso la staffa a "H" nei tasselli e fissarle al soffitto.

Fase 5: Far scorrere le staffe posteriori del riscaldatore sulla staffa a "H" e assicurarsi che siano fissate e non possano muoversi.

Precauzioni per l'installazione **AVVERTIMENTO**

Il cablaggio di questo apparecchio deve essere collegato in conformità con le norme nazionali di sicurezza elettrica pertinenti. Si tratta di un apparecchio di Classe 1 e deve essere dotato di messa a terra.

Se installato in aree pubbliche, l'installazione deve essere conforme alle norme elettriche locali pertinenti. Per alcuni edifici pubblici, come scuole e case di cura, i riscaldatori devono essere installati in conformità con la legislazione specifica per queste tipologie di edifici.

L'alimentazione elettrica di ciascun riscaldatore deve essere fornita collegandolo a un circuito protetto da un fusibile o da un interruttore differenziale (RCD) o da un interruttore differenziale (GFCI) adatto alla potenza elettrica nominale dell'apparecchio.

Codifica colore utilizzata nel cavo di alimentazione in dotazione: il filo MARRONE deve essere collegato alla FASE ("L"), il filo BLU al NEUTRO ("N") e il filo VERDE/GIALLO alla TERRA ("E").

 **ATTENZIONE**

Assicurarsi che l'alimentazione di rete sia SPENTA prima di iniziare un'installazione che prevede cavi fissi. Qualsiasi cablaggio fisso esterno al termoconvettore che entri in contatto o si trovi in prossimità del termoconvettore deve essere protetto da una guaina con una temperatura nominale di almeno 90 °C.

Tutti i cavi dietro l'apparecchio devono seguire il percorso più breve fino al bordo del termoconvettore.

Assicurarsi che il cavo di alimentazione non sia arrotolato. Accorciare il cavo di alimentazione, se possibile, e non posizionare il cavo in eccesso sul retro del termoconvettore.

I collegamenti elettrici non devono essere effettuati dietro il pannello del riscaldatore, a meno che non siano stati installati da personale qualificato utilizzando involucri adeguatamente protetti termicamente e conformi alle norme e ai regolamenti locali in materia di installazioni elettriche.

Il termoconvettore non deve essere posizionato immediatamente sotto una presa di corrente, sia in posizione di montaggio a parete che a soffitto.

NON forare il termoconvettore, poiché ciò causerebbe danni irreparabili ed è anche pericoloso.

NON collegare un termoconvettore danneggiato in qualsiasi modo alla rete elettrica.

Per il montaggio del pannello Herschel, utilizzare solo la ferramenta di montaggio in dotazione e installare secondo le istruzioni di installazione.

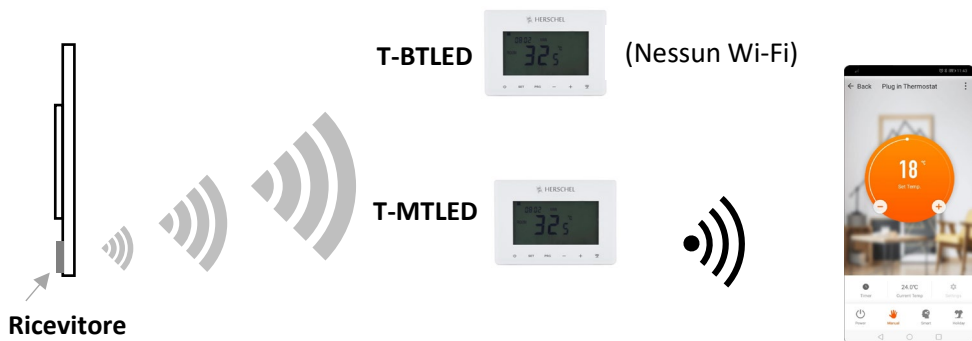
Funzionamento: utilizzo con i controlli XLS SmartLED

Tutti i termoconvettori Herschel Select XLS LED sono dotati di un ricevitore sul retro del pannello posteriore. Il ricevitore si accoppia in modalità wireless (tramite RF) con i controller termostatici SmartLED di Herschel. Il **T-BTLED** è un termostato a batteria. Il controllo tramite Wi-Fi e APP non è disponibile con il **T-BTLED**.

Per nuove costruzioni e ristrutturazioni, è possibile scegliere il termostato cablato **T-MTLED** alimentato a rete, con funzionalità Wi-Fi.

Una volta accoppiato al termoconvettore, il controller invia i comandi per accendere o spegnere il termoconvettore in base alla temperatura ambiente, al programma e alle esigenze di retroilluminazione.

Assicurarsi di seguire attentamente le istruzioni di accoppiamento. È inoltre disponibile assistenza online tramite la sezione Assistenza e Supporto del sito web Herschel locale.



Abbinamento del pannello a un controller SmartLED

Individuare il ricevitore sul retro del pannello.

Il ricevitore è dotato di un interruttore di accensione/spegnimento e di indicatori che mostrano se il pannello è abbinato a un controller e se il riscaldamento è acceso o spento.

Il riscaldatore deve essere abbinato a un controller Herschel SmartLED (fornito separatamente). Una volta abbinato, riceverà i comandi di accensione/spegnimento dal controller.

IMPORTANTE: Il pannello non ha un sensore di temperatura integrato. Un utilizzo efficiente del riscaldatore è possibile solo abbinandolo a un controller SmartLED. Il ricevitore del pannello Select XLS LED si abbinano solo a un controller SmartLED. Nessun altro controller può controllare il riscaldatore e le retroilluminazioni.

I controller SmartLED possono essere abbinati e controllare uno o più pannelli riscaldanti. La temperatura della stanza verrà misurata dal controller SmartLED. È normale utilizzare un controller per stanza, ma se si tratta di una stanza di grandi dimensioni (ad esempio un open space) potrebbe essere opportuno prendere in considerazione più di un controller per termostato. Se in una stanza sono presenti più pannelli riscaldanti, associare ciascun pannello al relativo controller della stanza.

Abbinamento del pannello a un controller SmartLED

Le funzioni del ricevitore sul retro del pannello sono:

1 LED di stato di associazione

I colori di stato sono i seguenti:

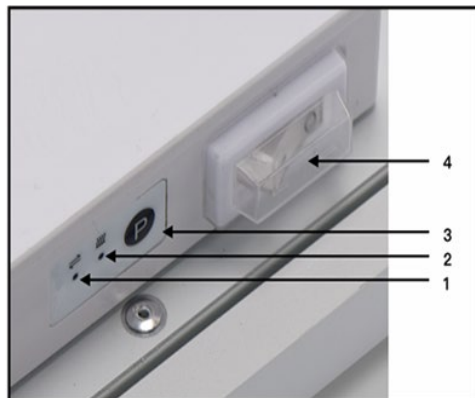
Bianco: il riscaldatore non è associato

Blu: il riscaldatore è associato a un controllo principale

2 LED di stato del riscaldamento (rosso)

3 Pulsante di "associazione"

4 Interruttore di alimentazione



Si consiglia di collegare temporaneamente il riscaldatore alla rete elettrica e di associare il ricevitore al controller SmartLED prima di montare il pannello nella sua posizione definitiva.

Accoppiamento

Passaggio 1

Accendi il riscaldatore con l'interruttore (4). Verifica che il LED di stato di accoppiamento sia bianco.

Premi due volte il pulsante "Accoppiamento" (3). Il LED di stato di accoppiamento (1) inizierà a lampeggiare.

Passaggio 2

Spegni il controller XLS SmartLED. Premi a lungo il pulsante SET finché sullo schermo non compare la scritta "ACCOPIAMENTO".

Passaggio 3

Il LED di stato di accoppiamento (1) smetterà di lampeggiare sul ricevitore del pannello al termine dell'accoppiamento e mostrerà una luce blu fissa.

NOTA: l'interruttore di alimentazione (4) deve essere in posizione ON per ricevere i comandi dal controller e deve essere lasciato in posizione ON, anche quando non è in uso. Il pannello non funzionerà se l'interruttore di alimentazione è in posizione OFF. Nel caso in cui un pannello non riscaldi quando necessario, verifica innanzitutto che l'interruttore di alimentazione (4) sia in posizione ON. Il riscaldatore può essere acceso o spento dal controller Herschel XLS, mentre l'interruttore di alimentazione (4) ha solo una funzione di override.

Ripristino delle impostazioni di fabbrica

Ripristina il ricevitore alle impostazioni di fabbrica premendo a lungo il pulsante "P". Il LED di stato di associazione diventerà bianco.

Pulizia e manutenzione



Informazioni generali

Si prega di notare che è possibile che il riscaldatore scolorisca con l'uso: ciò è causato dall'inquinamento atmosferico e non è un difetto.

Il riscaldatore è progettato per durare molti anni e incorpora diverse funzioni di sicurezza, ma se il riscaldatore non è stato utilizzato o installato in conformità con queste istruzioni, emette rumori, odori o mostra un rapido scolorimento della superficie, interromperne l'uso e contattare il Servizio Clienti Herschel o il rivenditore Herschel locale.

Il pannello Herschel deve essere installato, disinstallato, pulito o trasportato solo a freddo.



Verniciatura

I pannelli Select XLS LED possono essere verniciati per abbinarsi all'arredamento utilizzando una vernice resistente al calore idonea. Tuttavia, Herschel non sarà responsabile in caso di deterioramento o scolorimento della vernice. Qualsiasi diritto di restituzione del riscaldatore per un rimborso entro i termini di legge decadrà nel caso in cui il riscaldatore sia stato verniciato. La verniciatura del pannello non pregiudica la garanzia per la riparazione o la sostituzione.



Pulizia

Prima di pulire il pannello, scollegare il riscaldatore, isolare l'unità dall'alimentazione elettrica e lasciarla raffreddare completamente.

NON immergere il riscaldatore a pannello Herschel in acqua né spruzzarlo con acqua.

Pulire il riscaldatore con un panno umido. Per i modelli in vetro è possibile utilizzare un detergente per vetri. Non utilizzare mai un panno bagnato. Una volta pulite, asciugare le superfici con un panno asciutto.

NON applicare materiali abrasivi, solventi o salviette solventi sulla superficie, poiché ciò potrebbe causare danni irreparabili. Attendere che l'unità sia completamente asciutta prima dell'uso.



Riparazione

NON tentare di riparare o regolare alcuna funzione elettrica o meccanica di questa unità, poiché ciò invaliderà la garanzia. Le riparazioni devono essere eseguite esclusivamente da Herschel o da un centro di assistenza autorizzato Herschel.



Smaltimento



Il riscaldatore è un prodotto elettrico e non deve essere smaltito tra i rifiuti domestici. Un'alta percentuale del riscaldatore può essere riciclata. Si prega di trattarlo come rifiuto elettrico e riciclarlo in conformità con le normative locali.



Come sfruttare al meglio la stufa Herschel: i migliori consigli



Risparmia energia

La maggior parte delle persone si sente a suo agio in ambienti abitativi con temperature intorno ai 19 °C con gli infrarossi, ma la temperatura varia da persona a persona. Prenditi del tempo per sperimentare e abituarti al tuo sistema e alle temperature che preferisci. Più basso imposti il termostato, meno elettricità consumerai.

Riscalda solo le stanze che usi. Le stanze libere possono essere riscaldate a temperature molto più basse e aumentate quando ci saranno persone.

Le zone giorno come il soggiorno e la cucina dovrebbero essere riscaldate in modo diverso rispetto alle camere da letto e ai bagni. Le zone giorno sono adatte a un programma di riscaldamento più costante. Le camere da letto di solito sono meglio riscaldate rapidamente e lasciate raffreddare di nuovo durante il giorno. Imposta i tuoi termostati in base al tuo stile di vita e sfrutta al meglio la funzione di programmazione settimanale: potresti avere esigenze e orari di riscaldamento diversi nei giorni feriali e nei fine settimana.



Non surriscaldare la stanza e prenditi il tempo necessario per far funzionare il sistema.

Il riscaldamento a infrarossi è diverso perché riscalda l'ambiente stesso, non solo l'aria. Questo ti fa sentire a tuo agio più velocemente rispetto ai riscaldatori tradizionali che riscaldano solo l'aria e aiuta la stanza a mantenere il calore più a lungo.

Una volta che la stanza ha raggiunto il livello di comfort desiderato, il riscaldatore funziona con brevi cicli di riscaldamento, che consumano notevolmente meno energia rispetto al riscaldamento a convezione, mentre i periodi di riduzione consumano pochissima energia.

Per la massima efficienza, imposta la temperatura desiderata e lascia che il riscaldatore gestisca il resto. Non dovrai alzare la temperatura per riscaldare più velocemente.



Non sottovalutare le tue esigenze di riscaldamento

Herschel è un sistema di riscaldamento a basso consumo energetico, ma non è magico e se provi a riscaldare una stanza con un riscaldatore sottodimensionato finirai solo per avere freddo e sprecare energia e denaro. Assicurati di avere il riscaldatore/i della giusta dimensione per la stanza e, in caso di dubbi, consulta il sito web, il tuo rivenditore locale o contattaci.



Azzera le emissioni di CO2

Se non l'hai ancora fatto, cambia il tuo fornitore di energia con una tariffa 100% rinnovabile. È probabilmente la cosa più semplice e veloce che puoi fare per ridurre le tue emissioni di CO2.



E infine... raccontalo ai tuoi amici

Presto ti chiederai com'era la vita ai vecchi tempi, prima che ti arrivassero le tue stufe Herschel. Non tenerlo per te! Condividi le tue foto e diffondilo sui social media per aiutare gli altri ad abbandonare i loro sistemi di riscaldamento inefficienti e basati sui combustibili fossili!

5 anni di garanzia

Registra il tuo prodotto qui <https://www.herschel-infrarossi.it/assistenza-clienti/registrazione-della-garanzia/>

Entro cinque anni dalla data di acquisto, Herschel riparerà o sostituirà la stufa qualora il guasto sia dovuto a difetti di materiale o di fabbricazione. La presente garanzia è valida solo per uso domestico standard ed esclude usi commerciali. In caso di richiesta di garanzia, visitare l'area Servizio Clienti del sito web Herschel e seguire la procedura di richiesta di garanzia. Saranno necessarie la prova d'acquisto e le fotografie della stufa.

Un prerequisito per la validità della garanzia è l'utilizzo alla tensione di alimentazione specificata per la stufa e l'utilizzo in conformità con le condizioni specificate nel presente manuale. Sono escluse ulteriori garanzie o richieste di risarcimento.

La garanzia copre esclusivamente la riparazione o la sostituzione del prodotto difettoso e Herschel non sarà responsabile per i costi di installazione o per i danni conseguenti, indipendentemente da come questi siano stati subiti. La decisione di riparare o sostituire spetterà esclusivamente a Herschel e qualsiasi sostituzione sarà il più possibile simile nelle specifiche alla stufa guasta.

La rimozione del numero di serie invaliderà la garanzia. La garanzia sarà inoltre nulla se la stufa è stata manomessa o aperta in qualsiasi modo.

L'etichetta di alimentazione del prodotto deve essere lasciata sui pannelli, in modo che siano accessibili dopo l'installazione, se necessario.

Herschel Infrared Ltd non si assume alcuna responsabilità per eventuali graffi sulla superficie o sui telai dopo il primo utilizzo.

Disconoscimento

Herschel Infrared Ltd non si assume alcuna responsabilità per danni, perdite o lesioni causati da infiltrazioni d'acqua o umidità, danni accidentali, uso improprio, urti esterni, regolazioni effettuate da personale non autorizzato o mancato rispetto delle corrette precauzioni di manutenzione e sicurezza indicate nel manuale. Per maggiori dettagli, consultare la politica di garanzia di Herschel Infrared Ltd. Vedere <https://www.herschel-infrarossi.it/>

Conformità alla direttiva Ecodesign 2024/1103/CE

Tutti i riscaldatori a Select XLS LED, se utilizzati con i controller Herschel SmartLED, garantiscono le migliori prestazioni della categoria, superando i requisiti di EcoDesign (UE) 2024/1103.

Herschel non è responsabile per eventuali violazioni della normativa in caso di utilizzo del riscaldatore a Select XLS LED senza l'apposito controller Herschel.

Informazioni ECODESIGN per il riscaldatore a Select XLS LED quando utilizzato con i controller SmartLED**Quando installato come riscaldatore elettrico fisso**

Si applica a TUTTI i modelli coperti da queste istruzioni.

Efficienza energetica stagionale richiesta = 47,5%

Efficienza energetica stagionale effettiva = 51,58%

Tutti i pannelli Select XLS LED sono "i migliori della categoria" se utilizzati con i controlli Herschel SmartLED.

Dettagli tecnici

Potenza termica nominale (P_{nom}) = Potenza nominale del riscaldatore (vedere etichetta del prodotto)

Potenza termica continua massima (P_{max,c}) = Potenza nominale del riscaldatore (vedere etichetta del prodotto)

Fattori di correzione qualificanti

Controllo elettronico della temperatura ambiente più timer settimanale

Rilevamento finestra aperta

Avvio adattivo

Controllo della distanza

Precisione del controllo <2 °C

PRECAUCIONES DE SEGURIDAD IMPORTANTES

El incumplimiento de estas instrucciones anulará la garantía.

No desmonte el producto. No contiene piezas que el usuario pueda reparar.

ADVERTENCIA

PARA REDUCIR EL RIESGO DE INCENDIO, DESCARGA ELÉCTRICA O LESIONES

Este aparato debe desconectarse de la fuente de alimentación durante la instalación, el mantenimiento y la sustitución de componentes.

El calefactor Select XLS LED está equipado con un receptor (situado en la parte posterior del panel) que debe conectarse a un controlador Herschel SmartLED (se vende por separado) para controlar la temperatura ambiente y la iluminación del calefactor. Estos calefactores solo funcionan con un controlador SmartLED.

NO utilice este calefactor para calefacción en habitaciones ocupadas por personas que no puedan abandonarlas por sí solas, a menos que se les proporcione supervisión constante. Herschel no se responsabiliza de ningún incumplimiento de la normativa de Ecodiseño o Seguridad cuando los calefactores se utilicen en un espacio cerrado sin acceso a un controlador Herschel SmartLED.

El calefactor Select XLS LED cuenta con sensores térmicos de seguridad internos. Sin embargo, para evitar el sobrecalentamiento y el riesgo de incendio, NO cubra el calefactor bajo ninguna circunstancia. NO coloque el calefactor a menos de 0,3 m de materiales inflamables (por ejemplo, muebles, cortinas). NO toque el calefactor mientras esté en funcionamiento. Los calefactores de panel Herschel alcanzan una temperatura superficial de aproximadamente 95 °C / 248 °F (dependiendo del voltaje de entrada) y el contacto prolongado con el calefactor puede causar quemaduras y lesiones.

NO utilice el calefactor si el cable está dañado, si el calefactor presenta algún fallo, si se ha caído o si ha sufrido algún daño. Revise cada calefactor antes de instalarlo. Asegúrese de que el calefactor, el enchufe (si corresponde) y el cable no presenten daños visibles. Si el cable está dañado, envíe el aparato a un distribuidor autorizado de Herschel para su reparación.

Este calefactor solo debe utilizarse para calentar personas o edificios. No debe ser utilizado por niños ni por personas con capacidades físicas, sensoriales o mentales reducidas, o con falta de experiencia o conocimiento. Mantenga a los niños alejados del aparato y no los deje sin supervisión cerca del mismo. NO lo utilice en exteriores.

Todos los usuarios deben encender y apagar el aparato únicamente si lo han colocado o instalado en su posición de funcionamiento prevista, de acuerdo con estas instrucciones. Los niños no deben enchufar, encender ni regular el aparato ni realizar tareas de mantenimiento, incluida la limpieza.

Los paneles Herschel están diseñados para usarse con una tensión de CA de entre 220 y 240 voltios, 50 Hz. Si la tensión de su suministro supera los 240 voltios, no utilice el calefactor y póngase en contacto con su distribuidor local. El incumplimiento de esta indicación anulará la garantía.

El calefactor debe instalarse sobre una superficie no inflamable.

PROTECCIÓN CONTRA LA ENTRADA DE AGUA IP44

Los paneles calefactores Select XLS LED cuentan con una clasificación IP44 (mínimo) que permite su instalación en la zona 2 del baño. Esto significa que pueden colocarse sobre un lavabo o fuera de las zonas de salpicaduras, o bien instalarse en el techo. No se pueden instalar en las zonas 0 o 1.

Sin embargo, la instalación en habitaciones potencialmente húmedas, como baños, debe ser realizada por un instalador cualificado y cumplir con la normativa local de seguridad eléctrica. La instalación debe garantizar que el calefactor no pueda desprenderse de los soportes y caer en una bañera, ducha, piscina u otro recipiente con agua, y que los interruptores y demás controles no sean accesibles para una persona dentro de la bañera o ducha.

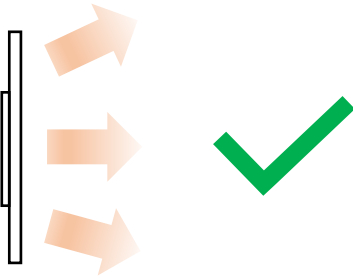
En caso de duda, no realice la instalación. Herschel Infrared Ltd no se responsabiliza de las pérdidas, daños o lesiones causados por una instalación inadecuada o una colocación incorrecta de los calefactores cerca de fuentes de agua.



Gracias por adquirir un calefactor infrarrojo Select XLS LED. Con el sistema de control SmartLED de Herschel, su sistema de montaje sencillo y su diseño delgado sin marco, disfrutará de muchos años de calefacción eficiente, inteligente y confortable.

Nos hemos esforzado por que la instalación y el uso de su calefactor sean lo más sencillos posible. Lea atentamente estas instrucciones y consérvelas para futuras consultas. Si tiene alguna pregunta, visite nuestra página web, donde encontrará una sección de preguntas frecuentes. También puede llamarnos, enviarnos un mensaje o chatear con nosotros en línea. Estaremos encantados de ayudarle a sacar el máximo partido a su nuevo sistema de calefacción Herschel.

Posicionamiento



Este es un panel calefactor infrarrojo. Calienta transfiriendo energía directamente del calefactor a la habitación y sus objetos. Coloque el calefactor donde no quede obstruido por objetos como muebles o donde no pueda irradiar calor eficazmente, como en los bordes o esquinas de la habitación. Los objetos grandes colocados frente al calefactor se calentarán y pueden impedir una dispersión eficaz del calor en la habitación. Si es posible, evite colocar el calefactor frente a ventanas, puertas abiertas o detrás de muebles.



Instalar el panel en el techo generalmente proporciona la mejor dispersión del calor en la habitación y deja las paredes libres.

Dependiendo del tamaño del calefactor, es probable que sienta el calor suave hasta a unos 3 metros de distancia, pero seguirá irradiando calor más allá de esta distancia. Al elegir la ubicación de instalación, considere si desea sentir el calor directamente (por ejemplo, encima de un sofá). Cuanto más cerca esté del calefactor, mayor será la intensidad del calor que sentirá. Esto suele ser cuestión de preferencia personal.

El calor infrarrojo se dispersará de la misma manera que la luz de un panel LED. Si instala varios paneles en una misma habitación, imagine que cada panel es una luz y piense en cómo la luz iluminaría la habitación; sus calefactores calentarán la habitación de forma similar.

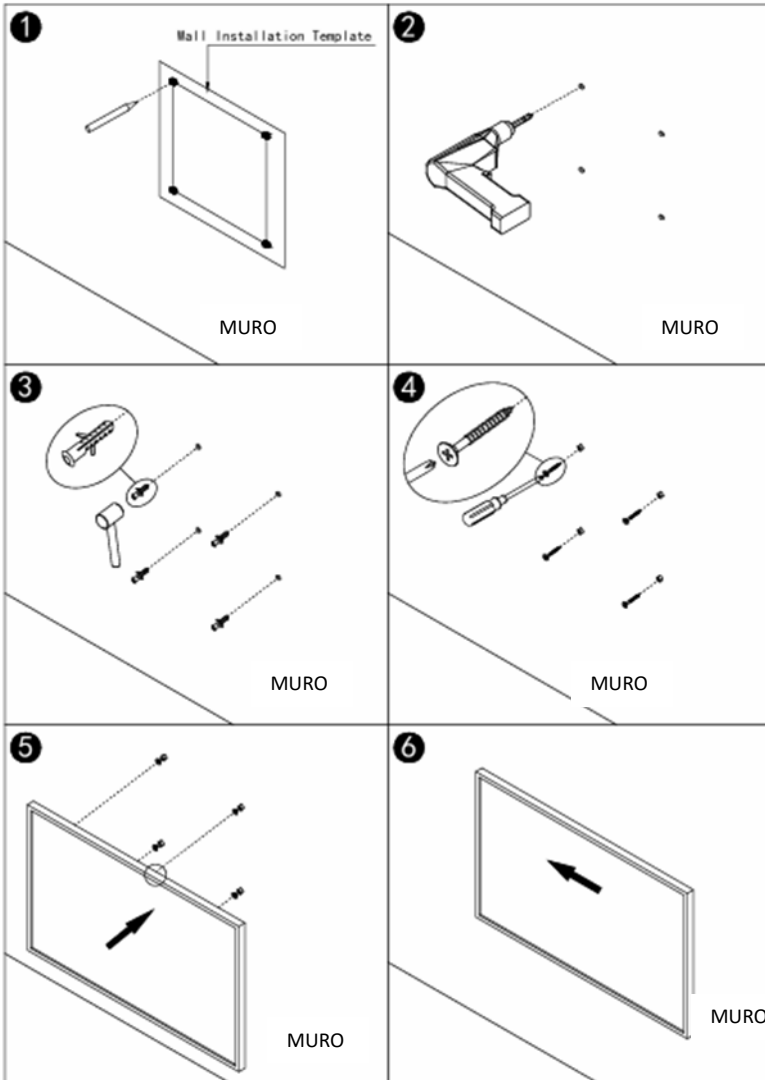
PRECAUCIÓN al colocar el calefactor:

Mantenga el calefactor a una distancia mínima de 200 mm de las esquinas de las paredes y techos, así como de otros objetos en las paredes o techos. Mantenga el calefactor a una distancia mínima de 400 mm de cualquier calefactor cercano. Los calefactores pueden empotrarse en el techo, pero DEBEN tener una separación mínima de 800 mm en cualquier dirección con respecto a cualquier calefactor cercano. Además, todas las placas de yeso u otras estructuras que formen parte del hueco DEBEN estar a 200 mm de distancia del calefactor por todos sus lados. El incumplimiento de cualquiera de las distancias indicadas provocará una acumulación excesiva de calor detrás del calefactor y anulará la garantía.

Montaje fijo en pared: se requiere instalación profesional.

El calefactor Select XLS LED no incluye enchufe y está diseñado para una conexión permanente al cableado fijo del edificio mediante una derivación con fusible a una distancia mínima de 200 mm del calefactor. El calefactor NO DEBE instalarse justo debajo de sus conexiones eléctricas. Puede instalarse tanto en posición horizontal como vertical, con el receptor en el borde inferior. Al perforar los orificios para el sistema de montaje, asegúrese de que no interfieran con los cables eléctricos.

Los tacos suministrados están diseñados para superficies duras. Si se instala sobre placas de yeso u otra superficie, deberá adquirir fijaciones adecuadas según el tipo de superficie y el peso del panel.



Paso 1: Utilice la plantilla suministrada para marcar la posición de los tornillos de montaje en la pared.

Paso 2: Taladre los agujeros con una broca de 8 mm.

Paso 3: Inserte los tacos suministrados.

Paso 4: Atornille los tornillos suministrados en los tacos, dejando la cabeza y aproximadamente 2 mm del vástago libres (para poder montar el calefactor).

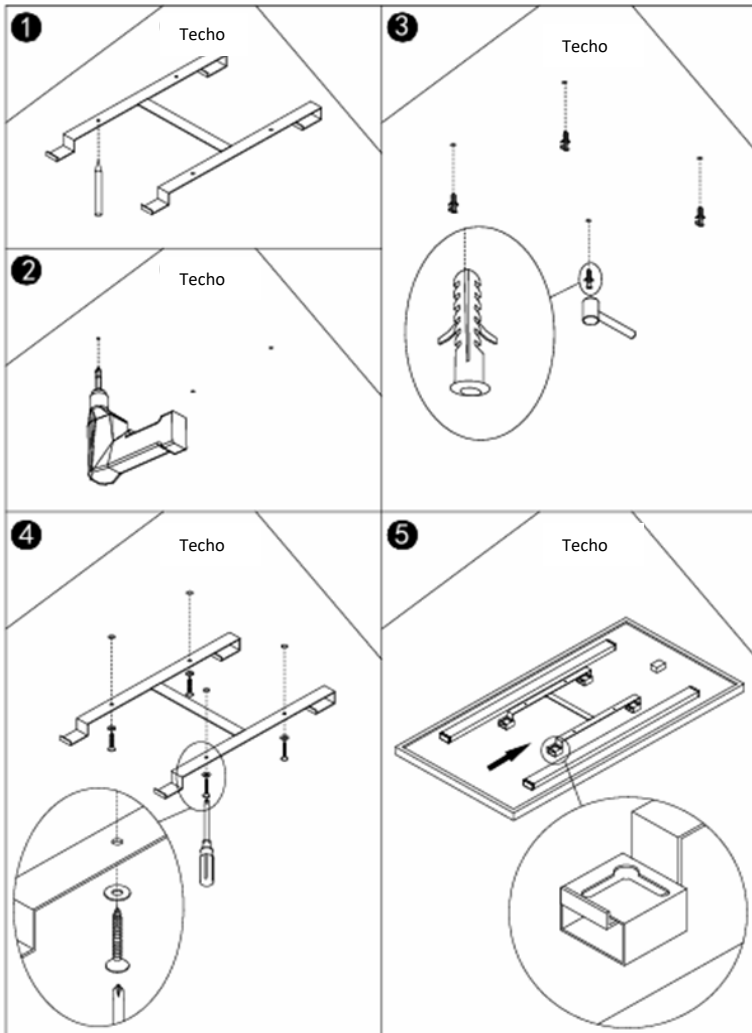
Paso 5: Coloque los soportes traseros sobre las cabezas de los tornillos que queden al descubierto.

Paso 6: Deslice el calefactor hacia la izquierda o hacia la derecha hasta que quede fijo.

Montaje en techo. Se requiere instalación profesional.

El calefactor Select XLS LED no incluye enchufe y está diseñado para una conexión permanente al cableado fijo del edificio. Las conexiones eléctricas pueden realizarse dentro del espacio entre el pladur y el techo, pero fuera del área de cobertura del calefactor. El calefactor NO DEBE instalarse justo debajo de sus conexiones eléctricas. Tenga cuidado al perforar los orificios para el sistema de montaje para que no interfieran con los cables eléctricos.

Los tacos suministrados están diseñados para usarse con una superficie de montaje rígida. Si se instala sobre pladur u otra superficie, deberá adquirir fijaciones adecuadas para la superficie de montaje y el peso del panel.



Paso 1: Utilice el soporte en forma de "H" suministrado para marcar la posición de los tornillos de montaje en el techo.

Paso 2: Taladre los agujeros con una broca de 8 mm.

Paso 3: Inserte los tacos suministrados.

Paso 4: Atornille los tornillos suministrados a través del soporte en forma de "H" en los tacos y fíjelos al techo.

Paso 5: Deslice los soportes traseros del calefactor sobre el soporte en forma de "H" y asegúrese de que queden bien sujetos y no se muevan.

Precauciones de instalación** ADVERTENCIA**

El cableado de este aparato debe conectarse de acuerdo con las normas nacionales de seguridad eléctrica pertinentes. Es un aparato de Clase 1 y debe estar conectado a tierra.

Cuando se instale en áreas públicas, deberá cumplir con las normas eléctricas locales pertinentes. En ciertos edificios públicos, como escuelas y residencias de ancianos, los calefactores deben instalarse según la legislación específica para este tipo de edificios.

El suministro eléctrico de cada calefactor debe realizarse conectándolo a un circuito protegido por un fusible, un interruptor diferencial (RCD) o un interruptor de circuito por falla a tierra (GFCI) adecuado a la potencia del aparato.

El código de colores del cable de alimentación suministrado es el siguiente: el cable MARRÓN se conecta a la FASE («L»), el cable AZUL al NEUTRO («N») y el cable VERDE/AMARILLO a TIERRA («E»).

 PRECAUCIÓN

Asegúrese de que la alimentación eléctrica esté desconectada antes de comenzar cualquier instalación que implique cableado fijo. Cualquier cableado fijo externo al calefactor que entre en contacto o cerca de este debe protegerse con una funda aislante con una temperatura nominal de al menos 90 °C.

Todo el cableado detrás del aparato debe seguir la ruta más corta hasta el borde del calefactor.

Asegúrese de que el cable de alimentación no esté enrollado. Si es posible, acórtelo y no coloque el exceso de cable en la parte posterior del calefactor.

Normalmente, no se deben realizar conexiones eléctricas detrás del panel del calentador, a menos que se instalen de forma profesional utilizando cajas con protección térmica adecuada que cumplan con las normas y reglamentos de instalación eléctrica de las autoridades locales.

El calefactor no debe colocarse justo debajo de una toma de corriente, ni en la pared ni en el techo.

NO perforo el calefactor, ya que esto causará daños irreparables y es peligroso.

NO conecte a la red eléctrica un calefactor dañado.

Para montar el panel Herschel, utilice únicamente los accesorios de montaje suministrados e instálelo siguiendo la guía de instalación.

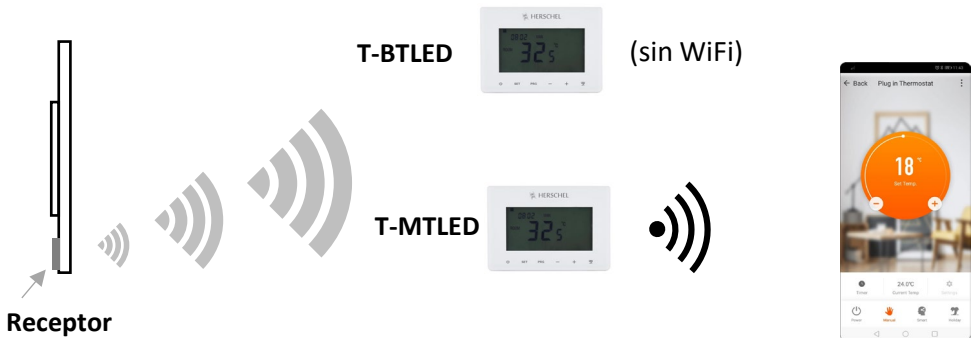
Funcionamiento: uso con controles XLS SmartLED

Todos los calefactores Select XLS LED incorporan un receptor en la parte posterior del panel trasero. Este receptor se sincroniza de forma inalámbrica (mediante RF) con los controladores termostáticos SmartLED de Herschel. El modelo T-BTLED funciona con pilas. No es posible controlarlo mediante Wi-Fi ni a través de la aplicación.

Para obra nueva y reformas, elija el termostato T-MTLED, que se conecta a la red eléctrica y cuenta con conexión Wi-Fi.

Una vez sincronizado con el calefactor, el controlador envía comandos para encenderlo o apagarlo según la temperatura ambiente, el programa y los requisitos de retroiluminación.

Siga atentamente las instrucciones de sincronización. También puede consultar la ayuda en línea en la sección de Ayuda y Soporte de la página web de Herschel de su país.



Emparejamiento del panel con un controlador SmartLED

Localice el receptor en la parte posterior del panel.

El receptor cuenta con un interruptor de encendido/apagado e indicadores que muestran si el panel está emparejado con un controlador y si la calefacción está encendida o apagada.

El calefactor debe emparejarse con un controlador Herschel SmartLED (se vende por separado). Una vez emparejado, recibirá comandos de encendido/apagado del controlador.

IMPORTANTE: El panel no tiene un sensor de temperatura integrado. Para un uso eficiente del calefactor, es necesario emparejarlo con un controlador SmartLED. El receptor del panel Select XLS LED solo se empareja con un controlador SmartLED. Ningún otro controlador funcionará con el calefactor ni la retroiluminación.

Los controladores SmartLED pueden emparejarse con uno o varios paneles calefactores y controlarlos. El controlador SmartLED medirá la temperatura ambiente. Lo habitual es usar un controlador por habitación, pero si se trata de una habitación grande (como un espacio abierto), puede ser conveniente considerar más de un controlador de termostato. Si hay varios paneles calefactores por habitación, empareje cada panel con el controlador de habitación correspondiente.

Emparejamiento del panel con un controlador SmartLED

Las funciones del receptor en la parte posterior del panel son:

1. LED indicador de estado de emparejamiento

Los colores del indicador son los siguientes:

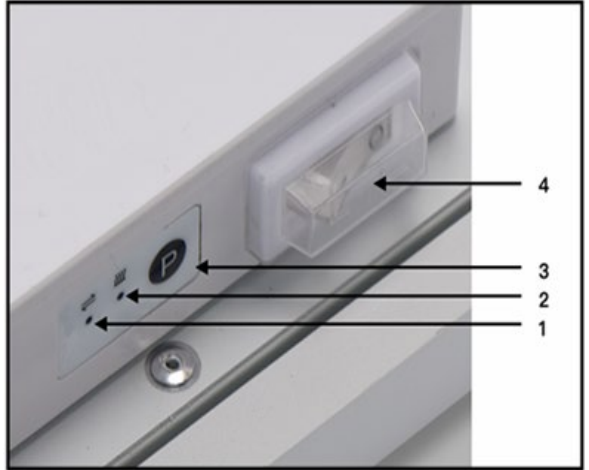
Blanco: El calefactor no está emparejado.

Azul: El calefactor está emparejado con un control principal.

2. LED indicador de estado de calentamiento (rojo)

3. Botón de emparejamiento

4. Interruptor de encendido



Recomendamos que conecte temporalmente el calentador a la red eléctrica y empareje el receptor con su controlador SmartLED antes de montar el panel en su posición final.

Emparejamiento

Paso 1

Encienda el calefactor con el interruptor (4). Verifique que el LED de estado de emparejamiento esté blanco.

Pulse dos veces el botón "Emparejamiento" (3). El LED de estado de emparejamiento (1) comenzará a parpadear.

Paso 2

Apague el controlador XLS SmartLED. Mantenga pulsado el botón SET hasta que la pantalla muestre "EMPAREJAR".

Paso 3

Cuando el emparejamiento se haya completado, el LED de estado de emparejamiento (1) dejará de parpadear en el receptor del panel y mostrará una luz azul fija.

NOTA: El interruptor de encendido (4) debe estar en la posición ON para recibir comandos del controlador y debe permanecer en esta posición, incluso cuando no se utilice. El panel no funcionará si el interruptor de encendido está apagado. Si el panel no calienta cuando se requiere, primero verifique que el interruptor de encendido (4) esté en la posición ON. El calefactor está diseñado para encenderse y apagarse mediante el controlador Herschel XLS; el interruptor de encendido (4) solo permite anular el encendido.

Restablecimiento de fábrica

Para restablecer el receptor a la configuración de fábrica, mantenga pulsado el botón «P». El LED de estado de emparejamiento se iluminará en blanco.

Limpeza y mantenimiento



General

Tenga en cuenta que es posible que el calefactor se decolore con el uso; esto se debe a la contaminación ambiental y no se considera un defecto.

El calefactor está diseñado para durar muchos años e incorpora varias medidas de seguridad. Sin embargo, si no se ha utilizado o instalado siguiendo estas instrucciones, emite ruido u olor, o presenta una decoloración rápida de la superficie, deje de usarlo y póngase en contacto con el Servicio de Atención al Cliente de Herschel o con su distribuidor local de Herschel.

El panel Herschel debe instalarse, desinstalarse, limpiarse o transportarse únicamente cuando esté frío.



Pintura

Los paneles Select XLS LED se pueden pintar para que combinen con la decoración utilizando una pintura resistente al calor adecuada. No obstante, Herschel no se responsabilizará si la pintura se deteriora o se decolora. Cualquier derecho a devolver el calefactor para obtener un reembolso dentro de los plazos legales quedará anulado si el calefactor ha sido pintado. Pintar el panel no afectará a su garantía de reparación o sustitución.



Limpeza

Antes de limpiar el panel, desenchufe el calefactor, desconéctelo de la corriente eléctrica y deje que se enfríe por completo.

NO sumerja el calefactor Herschel en agua ni le salpique agua.

Limpe el calefactor con un paño húmedo. Para los modelos de cristal, puede usar limpiacristales. Nunca use un paño mojado. Una vez limpio, seque las superficies con un paño seco.

NO aplique materiales abrasivos, disolventes ni toallitas con disolventes a la superficie, ya que esto puede causar daños irreparables. Espere a que el calefactor esté completamente seco antes de usarlo.



Reparación

NO intente reparar ni ajustar ninguna función eléctrica o mecánica de este calefactor, ya que esto anulará la garantía. Las reparaciones solo deben ser realizadas por Herschel o un servicio técnico autorizado de Herschel.



Eliminación

Este calefactor es un producto eléctrico y no debe desecharse con la basura doméstica. Un alto porcentaje del calefactor se puede reciclar. Trátemo como residuo eléctrico y recíclolo de acuerdo con la normativa local.



Cómo sacar el máximo partido a tu calefactor Herschel: consejos clave



Ahorra energía

La mayoría de las personas se sienten cómodas en las salas de estar a unos 19 °C con calefacción infrarroja, pero esto varía de persona a persona. Tómate tu tiempo para experimentar y familiarizarte con tu sistema y las temperaturas que te resulten agradables. Cuanto más bajo programes el termostato, menos electricidad consumirás.

Calienta solo las habitaciones que uses. Las habitaciones de invitados se pueden calentar a temperaturas mucho más bajas y aumentar la temperatura cuando vayan a estar ocupadas.

Las salas de estar, como el salón y la cocina, deben calentarse de forma diferente a los dormitorios y baños. Las salas de estar se adaptan mejor a un horario de calefacción más constante. Generalmente, es mejor calentar los dormitorios rápidamente y dejar que se enfríen durante el día. Configura tus controladores según tu estilo de vida y aprovecha al máximo la función de programación semanal: tus necesidades y horarios de calefacción pueden variar entre semana y fines de semana.



No sobrecalientes la habitación y deja que el sistema funcione correctamente.

La calefacción por infrarrojos ofrece una sensación diferente porque calienta la habitación en sí, no solo el aire. Esto te proporciona confort más rápido que los calefactores tradicionales que solo calientan el aire, y además ayuda a que la habitación conserve el calor durante más tiempo.

Una vez que la habitación alcanza la temperatura deseada, el calefactor funciona en ciclos cortos de calentamiento, que consumen mucha menos energía que la calefacción por convección, y los periodos de reducción de temperatura consumen muy poca energía.

Para una mayor eficiencia, ajusta la temperatura que desees y deja que el calefactor se encargue del resto. No necesitarás subir la temperatura para calentar la habitación más rápido.



No subestime la potencia de su calefacción.

Los sistemas de calefacción Herschel son de bajo consumo, pero no son milagrosos. Si intenta calentar una habitación con un calefactor insuficiente, solo conseguirá pasar frío y desperdiciar energía y dinero. Asegúrese de tener el calefactor o los calefactores adecuados para la habitación y, si tiene alguna duda, consulte el sitio web, a su distribuidor local o póngase en contacto con nosotros.



Apuesta por la neutralidad de carbono

Si aún no lo has hecho, cambia tu compañía eléctrica a una tarifa 100% renovable. Probablemente sea la forma más fácil y rápida de reducir tus emisiones de CO₂.



Y por último... ¡cuéntaselo a tus amigos!

Pronto te preguntarán cómo era la vida antes de tener tus calefactores Herschel. ¡No te lo guardes! Comparte tus fotos y difunde la información en las redes sociales para ayudar a otros a abandonar sus sistemas de calefacción ineficientes basados en combustibles fósiles.

5 años de garantía

Registre su producto aquí <https://www.herschel-infrarrojo.es/atencion-al-cliente/registro-de-garantia/>

Dentro de los cinco años posteriores a la fecha de compra, Herschel reparará o reemplazará el calefactor si la falla se debe a defectos en los materiales o en la mano de obra. Esta garantía es válida únicamente para uso doméstico estándar y excluye el uso comercial. Para presentar una reclamación de garantía, visite la sección de Atención al Cliente del sitio web de Herschel y siga el proceso de reclamación. Necesitará el comprobante de compra y fotografías del calefactor.

Para que la garantía sea válida, es indispensable utilizar el calefactor con la tensión de alimentación especificada y de acuerdo con las condiciones indicadas en este manual. Cualquier otra garantía o reclamación queda excluida.

La garantía cubre únicamente la reparación o el reemplazo del producto defectuoso. Herschel no se hace responsable de los costos de instalación ni de las pérdidas indirectas, independientemente de su origen. La decisión de reparar o reemplazar el producto recae exclusivamente en Herschel, y cualquier reemplazo tendrá especificaciones lo más similares posible a las del calefactor defectuoso.

La eliminación del número de serie anulará la garantía. La garantía también quedará anulada si el calefactor ha sido manipulado o abierto de alguna manera.

La etiqueta de alimentación del producto debe permanecer en los paneles, en un lugar accesible después de la instalación, si fuera necesario.

Herschel Infrared Ltd no se responsabiliza de los arañazos en la superficie o la estructura tras el primer uso.

Descargo de responsabilidad

Herschel Infrared Ltd no se responsabiliza de los daños, pérdidas o lesiones causados por la entrada de agua o humedad, daños accidentales, mal uso, impactos externos, ajustes realizados por personal no autorizado o el incumplimiento de las precauciones de mantenimiento y seguridad indicadas en el manual. Consulte la política de garantía de Herschel Infrared Ltd para obtener información detallada. Consulte <https://www.herschel-infrarrojo.es/>

Cumplimiento de la Directiva de Ecodiseño 2024/1103/CE

Todos los calefactores Select XLS LED, al usarse con los controladores Herschel SmartLED, ofrecen un rendimiento superior, superando los requisitos de EcoDesign (UE) 2024/1103.

Herschel no se responsabiliza de ningún incumplimiento de la legislación derivado del uso del calefactor Select XLS LED sin el controlador Herschel adecuado.

Información sobre diseño ecológico para el calefactor Select XLS LED cuando se utiliza con controladores SmartLED

Instalado como calefactor eléctrico fijo

Aplica a todos los modelos cubiertos por estas instrucciones.

Eficiencia de calefacción estacional requerida: 47,5 %

Eficiencia de calefacción estacional real: 51,58 %

Todos los paneles Select XLS LED ofrecen el mejor rendimiento de su clase cuando se utilizan con los controles Herschel SmartLED.

Detalles técnicos

Potencia calorífica nominal (P_{nom}) = Potencia nominal del calefactor (ver etiqueta del producto)

Potencia calorífica máxima continua ($P_{max,c}$) = Potencia nominal del calefactor (ver etiqueta del producto)

Factores de corrección

Control electrónico de temperatura ambiente con temporizador semanal

Detección de ventana abierta

Arranque adaptativo

Control de distancia

Precisión de control <2 °C