

Rio 2500W - the ultimate in outdoor heating elegance.

Rio sets the standard for premium outdoor comfort. Delivering radiant warmth from its designer aesthetic, Rio complements the most sophisticated outdoor and indoor spaces - whether gracing the terraces of luxury hotels, restaurants or stylish home patios. Designed using the latest high-efficiency, woven carbon-fibre technology, combined with a sleek ceramic-glass screen, Rio is engineered to deliver a balanced, comfortable spread of warmth with minimal glare. Rio emits a soft ambient glow creating a warm, inviting atmosphere and extending your evenings in effortless style.

Featuring a handy remote control, Rio offers three adjustable heat settings (33%, 66%, 100%), allowing you to tailor the warmth to your environment with ease. For integrated installations, a bypass\* switch enables seamless hardwired operation via external controllers such as push-button timers.

Built to endure the harshest climate, the Rio is IP-rated for year round outdoor use, with flexible mounting options for walls, ceilings, or a freestanding setup when using the optional premium stand (available separately). Its versatility makes it ideal not only for outdoor hospitality venues but also for high-end indoor commercial spaces seeking a stylish, high-performance heating solution. When installed indoors, the 2.5kW Rio should be hardwired and operated in bypass\* mode with Herschel's MD2 or MKS thermostats (sold separately) for optimal control. \*When operated in 'remote bypass' the heater can only be operated at full power. The 3 power levels are available via the remote control.

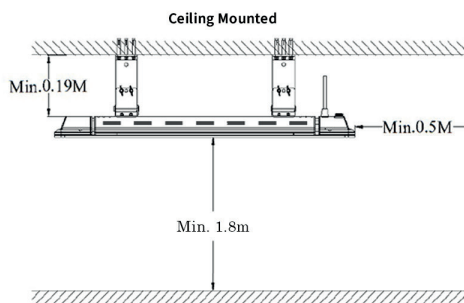
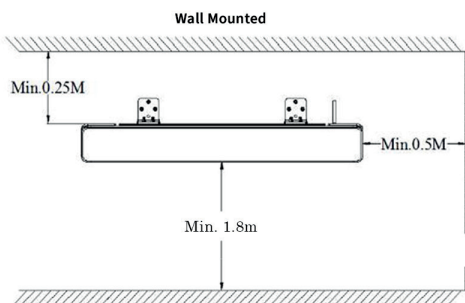
With its cutting-edge, energy-efficient technology, designer finish, and exceptional build quality, the Herschel Rio 2500W is the pinnacle of luxurious patio design.

Available Models

Part Number	Rated Power	Dimensions	Weight	Heated Zone m <sup>2</sup>
M-RIO-2500	2500W	93 x 16 cm	6 kg	7 - 12 Outdoors 10 - 18 Indoors

Technical Details

Heating Element	Woven carbon-fibre
Voltage	220 - 240V 50 Hz
Body	Aluminium, Ceramic Glass
Remote Control	3 power levels (33% increments) with remote use outdoors
Warm Up Time	5 - 10 Seconds
Useful Wavelength	2 - 5µm
IP Rating	IP55
Cable	2m
Certificates	UK CA CE
Warranty	2 years



IMPORTANT

Please refer to the Herschel RIO Installation Manual before installation and for guidance on heated zones and heat intensity at alternative mounting heights. The heated zones are based on recommended mounting heights. In areas with air movement/wind the infrared spread may reduce by 1/3 to 1/2. In these areas we recommend mounting at the lowest height and proportionally increasing the number of heaters. For larger detailed commercial projects we would always recommend Herschel carry out a survey or detailed desktop assessment. Under no circumstances is the heater to be installed at less than 1.8m (71") from the floor. Do not touch the heater when it is in use.

Ensure supply voltage does not exceed 240 Volts. The Herschel Rio is guaranteed against failure due to faulty materials or workmanship for two years. The warranty excludes lamp and remote control. In the unlikely event of failure of the unit within this time, the unit must be returned to the supplier for repair or replacement. Refer to the warranty policy on [Herschel-infrared.co.uk](http://Herschel-infrared.co.uk) for more detail including exclusions. The guarantee is invalid if the correct installation instructions have not been adhered to.